




*Gleitringdichtungen*  
*Mechanical Seals*

 **billi**<sup>®</sup>

dichtungstechnik gmbh



Alle Angaben in diesem Prospekt sind indikativ. Bilder und Aufzeichnungen entsprechen der derzeitigen Produktion. Die Firma hat stets das Recht Verbesserungen und technische Änderungen ohne besondere Anzeige vorzunehmen. Ausgabe 10/2008. Texte und Bilder dieses Kataloges sind Eigentum von billi dichtungstechnik gmbh. Kopien und Reproduktionen, auch auszugsweise, sind verboten und werden verfolgt.

All informations reported in this folder are indicative. Pictures and characteristics correspond to the actual production. The company has everyway all the rights to make improvement and technical changes without warning. Edition 10/2008. Texts and Pictures in this catalogue are property of billi dichtungstechnik gmbh. Copies and reproductions, even partially, are forbidden and will be persecuted.

Gleitringdichtungen für KSB® Pumpen (BB3) Mechanical Seals for KSB® Pumps (BB3)	<b>02</b> <b>02</b>
Gleitringdichtungen für SIHI® Pumpen (BB1) Mechanical Seals for SIHI® Pumps (BB1)	<b>03</b> <b>03</b>
Gleitringdichtungen für ALFA LAVAL® Pumpen (BB12, BB3-AL, BB13) Mechanical Seals for ALFA LAVAL® Pumps (BB12, BB3-AL, BB13)	<b>04-12</b> <b>04-12</b>
Gleitringdichtungen für FRISTAM® Pumpen (BB14, BB15) Mechanical Seals for FRISTAM® Pumps (BB14, BB15)	<b>13-31</b> <b>13-31</b>
Gleitringdichtungen für LOWARA® Pumpen (BB5) Mechanical Seals for LOWARA® Pumps (BB5)	<b>32-33</b> <b>32-33</b>
Gleitringdichtungen für FLYGT® Pumpen (BB16) Mechanical Seals for FLYGT® Pumps (BB16)	<b>34-37</b> <b>34-37</b>
Gleitringdichtungen für EMU® Pumpen (BB17) Mechanical Seals for EMU® Pumps (BB17)	<b>38-39</b> <b>38-39</b>
Gleitringdichtungen für TUCHENHAGEN® Pumpen (BB20) Mechanical Seals for TUCHENHAGEN® Pumps (BB20)	<b>40</b> <b>40</b>
Gleitringdichtungen für APV® Pumpen (BB19) Mechanical Seals for APV® Pumps (BB19)	<b>41-47</b> <b>41-47</b>
Gleitringdichtungen für INOXPA PROLAC® Pumpen (BB21) Mechanical Seals for INOXPA PROLAC® Pumps (BB21)	<b>48</b> <b>48</b>
Gleitringdichtungen für ALLWEILER® Pumpen (BB23) Mechanical Seals for ALLWEILER® Pumps (BB23)	<b>49</b> <b>49</b>

Die Typen BB1 bis BB23 sind Gleitringdichtungen  
der Firma billi dichtungstechnik gmbh

The style BB1 to BB23 are Mechanical Seals of  
billi dichtungstechnik gmbh

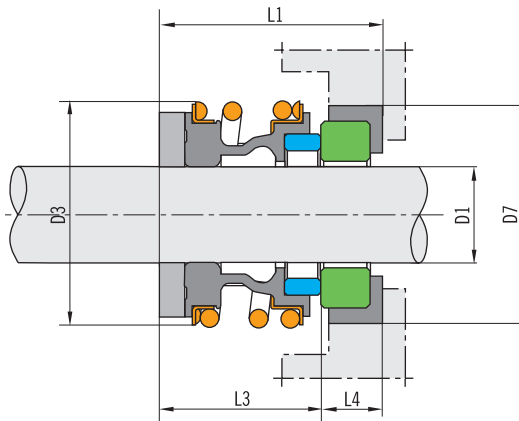
## GLEITRINGDICHTUNGEN FÜR KSB® PUMPEN

### Mechanical Seals for KSB® Pumps

Gummibalgdichtung für den Einsatz in den meisten KSB® Standardpumpen. Sie ist ab Lager erhältlich mit den drei Standardelastomeren (NBR, EPDM, VITON®), Gleitflächen der rotierenden Einheit aus Kohle oder SiC und die stationäre Einheit aus SiC.

On stock we have a range of elastomer bellows seals for the most common Styles of standard KSB® pumps.

Available with carbon or silicon carbide rotary faces with silicon carbide seats, in the three standard elastomers (NBR, EPDM, VITON®).



#### Billi standard

D1	D7	D3	L3	L4	L1
10	19,60	20,00	26,00	6,60	32,60
15	25,00	25,00	28,40	6,60	35,00
16	27,00	26,00	22,20	8,60	30,80
22	37,00	36,00	25,50	12,10	37,60
28	43,00	47,00	36,50	14,40	50,90
38	56,00	58,00	42,00	13,20	55,20
48	66,00	69,00	50,50	9,60	60,10

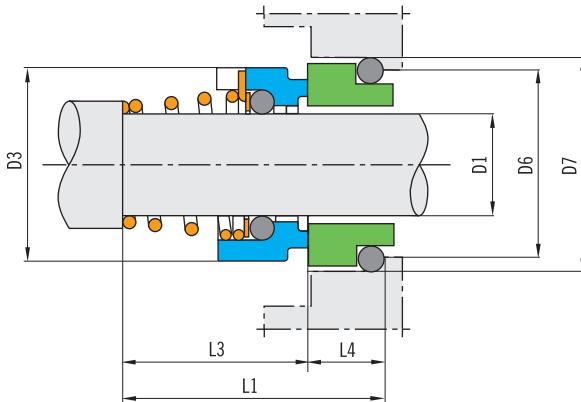


## GLEITRINGDICHTUNGEN FÜR SIHI® PUMPEN

### Mechanical Seals for SIHI® Pumps

Eine veränderte 38 mm BB1 Gleitringdichtung die sich an die verringerte Gehäuseabmessung der SIHI® Pumpen anpasst. Sie ist ab Lager erhältlich in den üblichen Elastomer- (NBR, EPDM, VITON®) und Werkstoffpaarungen für Typ BB1.

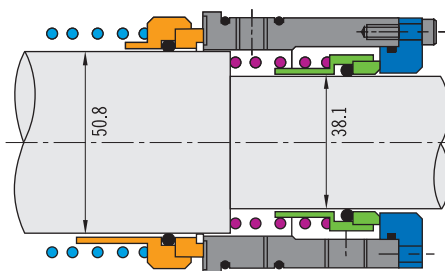
A modified 38 mm seal to suit the reduced housing size of SIHI® pumps. Available from stock in the usual faces and elastomer combinations (NBR, EPDM, VITON®) for Style BB1.



#### Billi standard

D1	D3	L3	D7	L4	D6	L1
38	53,00	42,00	56,00	13,00	49,00	55,00

- |                           |  |
|---------------------------|--|
| <b>CONTHERM® 2"</b> ■     | <b>BB12-Shell-2"BE</b><br>rotierender Kopf Aussenwelle mit eingeschrumpfter Kohle<br><i>Outer shaft rotary head with inserted Carbon face</i>  |
| <b>CONTHERM® 2"</b> ■     | <b>BBB12-Shell-2"UE</b><br>rotierender Kopf Aussenwelle mit eingeschrumpftem Wolframkarbid<br><i>Outer shaft rotary head with inserted TC face</i>   |
| <b>CONTHERM® 2"</b> ■     | <b>BB12-Feder-2"</b><br>Feder für rotierenden Kopf Aussenwelle<br><i>Spring to outer shaft rotary head</i>   |
| <b>CONTHERM® 2"</b> ■     | <b>BB12-Flush-2"</b><br>Gehäuse Aussenwelle mit Chromoxyd-Fläche mit Sperrwasservorrichtung<br><i>Outer shaft collet with chrome oxide coated face with flush</i>                                      |
| <b>CONTHERM® 1 1/2"</b> ■ | <b>BB12-Shell-1 1/2"BE</b><br>rotierender Kopf Innenwelle mit Kohle eingeschrumpft<br><i>Inner shaft rotary head with inserted Carbon face</i>   |
| <b>CONTHERM® 1 1/2"</b> ■ | <b>BB12-Feder-1 1/2"</b><br>Feder für rotierenden Kopf Innenwelle<br><i>Spring to inner shaft rotary head</i>  |
| <b>CONTHERM® 1 1/2"</b> ■ | <b>BB12-Flush-1 1/2"</b><br>Gehäuse Innenwelle mit Chromoxyd-Fläche<br><i>Inner shaft collet with chrome oxide coated face</i>   |
| <b>CONTHERM® 2"</b> ■     | <b>BB12-Non Flush-2" (Alternativ zu/to BB12-Flush-2")</b><br>Gehäuse Aussenwelle mit Chromoxyd-Fläche ohne Sperrwasservorrichtung<br><i>Outer shaft collet with chrome oxide coated face, no flush</i> |

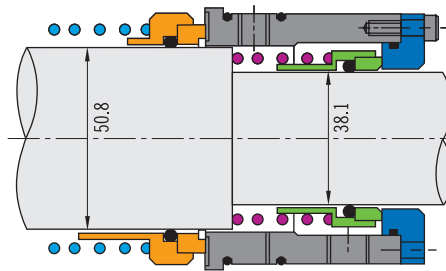


BB12-Shell-2"BE



BB12-Flush-2"

- |                           |  |
|---------------------------|--|
| <b>CONTHERM® 2"</b> ■     | <b>BB12-Shell-2"BE</b><br>rotierender Kopf Aussenwelle mit eingeschrumpfter Kohle<br><i>Outer shaft rotary head with inserted Carbon face</i>  |
| <b>CONTHERM® 2"</b> ■     | <b>BBB12-Shell-2"UE</b><br>rotierender Kopf Aussenwelle mit eingeschrumpftem Wolframkarbid<br><i>Outer shaft rotary head with inserted TC face</i>   |
| <b>CONTHERM® 2"</b> ■     | <b>BB12-Feder-2"</b><br>Feder für rotierenden Kopf Aussenwelle<br><i>Spring to outer shaft rotary head</i>   |
| <b>CONTHERM® 2"</b> ■     | <b>BB12-Flush-2"</b><br>Gehäuse Aussenwelle mit Chromoxyd-Fläche mit Sperrwasservorrichtung<br><i>Outer shaft collet with chrome oxide coated face with flush</i>                                      |
| <b>CONTHERM® 1 1/2"</b> ■ | <b>BB12-Shell-1 1/2"BE</b><br>rotierender Kopf Innenwelle mit Kohle eingeschrumpft<br><i>Inner shaft rotary head with inserted Carbon face</i>   |
| <b>CONTHERM® 1 1/2"</b> ■ | <b>BB12-Feder-1 1/2"</b><br>Feder für rotierenden Kopf Innenwelle<br><i>Spring to inner shaft rotary head</i>  |
| <b>CONTHERM® 1 1/2"</b> ■ | <b>BB12-Flush-1 1/2"</b><br>Gehäuse Innenwelle mit Chromoxyd-Fläche<br><i>Inner shaft collet with chrome oxide coated face</i>   |
| <b>CONTHERM® 2"</b> ■     | <b>BB12-Non Flush-2" (Alternativ zu/to BB12-Flush-2")</b><br>Gehäuse Aussenwelle mit Chromoxyd-Fläche ohne Sperrwasservorrichtung<br><i>Outer shaft collet with chrome oxide coated face, no flush</i> |



BB12-Flush-1 1/2"

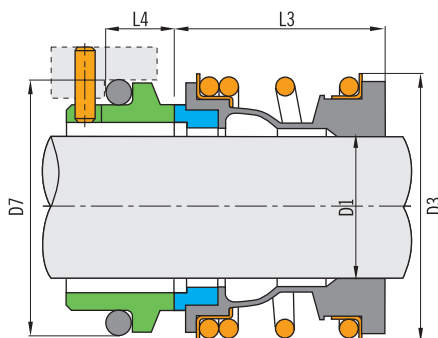


BB12-Non Flush-2"

**Mechanical Seals for ALFA LAVAL® Pumps**

Eine spezielle Dichtung Typ **BB3-AL** geeignet für Alfa Laval ALC® Pumpen mit Motorenstärke von 1.5 kW bis 22 kW. Erhältlich ab Lager in der Standardwerkstoffpaarung SiC / Kohle und den üblichen Elastomeren (NBR, EPDM, VITON®).

A special Style **BB3-AL** seal to suit Alfa Laval ALC® series pumps, motor sizes from 1.5 kW to 22 kW. Available from stock with silicon carbide vs. carbon seat as standard, in all common elastomers (NBR, EPDM, VITON®).



ALFA LAVAL® Pumpe	Welle mm	Billi GLRD	Billi Rot. Teil	Billi Stat. Teil	Typ
ALFA LAVAL® Pump	Shaft mm	Billi seal No.	Billi item No.	Billi item No.	Type
ALC	40	BB3-AL	T34V40	C31V40-AL	*
ALC	53	BB3-AL	T34V53	C31V53-AL	*
ALC	60	BB3-AL	T34V60	C31V60-AL	*
ALP	40	BB3-AL	T34V40	C31V40-AL	*
ALP	53	BB3-AL	T34V53	C31V53-AL	*
ALP	60	BB3-AL	T34V60	C31V60-AL	*

\* Einzel GLRD SiC/Kohle/VITON

\* Single seal SiC/Carbon/VITON

**Billi standard**

D1	D7	D3	L3	L4
40	50,00	60,00	30,00	14,00
53	75,00	76,00	33,00	15,00
60	85,00	85,00	38,00	15,00





ALFA LAVAL® Pumpe	mm	I.Alternativ	II. Alternativ	III. Alternativ
ALFA LAVAL® Pump	mm	I.Alternativ	II. Alternativ	III. Alternativ
		*	**	***
CM1A	22	BB13A-22BSE	BB13A-22BQE	BB13A-22QQE
CM1B	22	BB13A-22BSE	BB13A-22BQE	BB13A-22QQE
CM1C	22	BB13A-22BSE	BB13A-22BQE	BB13A-22QQE
CM1D	22	BB13A-22BSE	BB13A-22BQE	BB13A-22QQE
EM1C	22	BB13A-22BSE	BB13A-22BQE	BB13A-22QQE
EM1D	22	BB13A-22BSE	BB13A-22BQE	BB13A-22QQE
FM0	22	BB13B-22BSE	BB13B-22BQE	BB13B-22QQE
FM0S	22	BB13B-22BSE	BB13B-22BQE	BB13B-22QQE
FM1A	22	BB13B-22BSE	BB13B-22BQE	BB13B-22QQE
FM1AE	22	BB13B-22BSE	BB13B-22BQE	BB13B-22QQE
FM2A	22	BB13B-22BSE	BB13B-22BQE	BB13B-22QQE
FM3A	22	BB13B-22BSE	BB13B-22BQE	BB13B-22QQE
FM4A	22	BB13B-22BSE	BB13B-22BQE	BB13B-22QQE
MR166A	22	BB13C-22BSE	BB13C-22BQE	BB13C-22QQE
MR166B	22	BB13C-22BSE	BB13C-22BQE	BB13C-22QQE
MR166E	22	BB13C-22BSE	BB13C-22BQE	BB13C-22QQE
ME155AE	22	BB13D-22BSE	BB13D-22BQE	BB13D-22QQE
GM1	22	BB13D-22BSE	BB13D-22BQE	BB13D-22QQE
GM1A	22	BB13D-22BSE	BB13D-22BQE	BB13D-22QQE
GM2	22	BB13D-22BSE	BB13D-22BQE	BB13D-22QQE
GM2A	22	BB13D-22BSE	BB13D-22BQE	BB13D-22QQE
MR185A bis MR200A	27	BB13E-27BSE	BB13E-27BQE	BB13E-27QQE
LKH5 bis LKH6	32	BB13F-32BSE	BB13F-32BQE	BB13F-32QQE

\* Einzel GLRD Kohle/Stahl/EPDM

\* Single seal Carbon/SS/EPDM

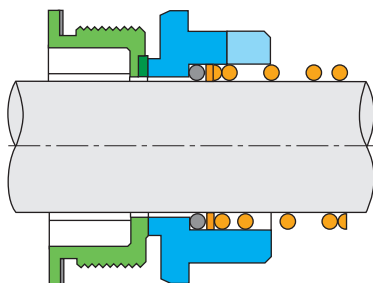
\*\* Einzel GLRD Kohle/SiC/EPDM

\*\* Single seal Carbon/SiC/EPDM

\*\*\* Einzel GLRD SiC/SiC/EPDM

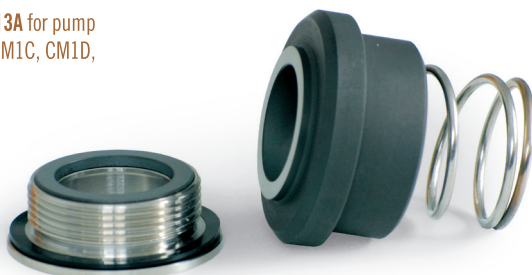
\*\*\* Single seal SiC/SiC/EPDM

Alfa Laval® und Contherm® sind registrierten Trade Marks.



Typ **BB13A** Komplettichtung für die Pumpenmodelle CM1A, CM1B, CM1C, CM1D, EM1C und EM1D.

Complete seal Style **BB13A** for pump models CM1A, CM1B, CM1C, CM1D, EM1C and EM1D.



ALFA LAVAL® Pumpe	mm	I.Alternativ	II. Alternativ	III. Alternativ
ALFA LAVAL® Pump	mm	I.Alternativ	II. Alternativ	III. Alternativ
		*	**	***
CM1A	22	BB13A-22BSE	BB13A-22BQE	BB13A-22QQE
CM1B	22	BB13A-22BSE	BB13A-22BQE	BB13A-22QQE
CM1C	22	BB13A-22BSE	BB13A-22BQE	BB13A-22QQE
CM1D	22	BB13A-22BSE	BB13A-22BQE	BB13A-22QQE
EM1C	22	BB13A-22BSE	BB13A-22BQE	BB13A-22QQE
EM1D	22	BB13A-22BSE	BB13A-22BQE	BB13A-22QQE
FMO	22	BB13B-22BSE	BB13B-22BQE	BB13B-22QQE
FMOS	22	BB13B-22BSE	BB13B-22BQE	BB13B-22QQE
FM1A	22	BB13B-22BSE	BB13B-22BQE	BB13B-22QQE
FM1AE	22	BB13B-22BSE	BB13B-22BQE	BB13B-22QQE
FM2A	22	BB13B-22BSE	BB13B-22BQE	BB13B-22QQE
FM3A	22	BB13B-22BSE	BB13B-22BQE	BB13B-22QQE
FM4A	22	BB13B-22BSE	BB13B-22BQE	BB13B-22QQE
MR166A	22	BB13C-22BSE	BB13C-22BQE	BB13C-22QQE
MR166B	22	BB13C-22BSE	BB13C-22BQE	BB13C-22QQE
MR166E	22	BB13C-22BSE	BB13C-22BQE	BB13C-22QQE
ME155AE	22	BB13D-22BSE	BB13D-22BQE	BB13D-22QQE
GM1	22	BB13D-22BSE	BB13D-22BQE	BB13D-22QQE
GM1A	22	BB13D-22BSE	BB13D-22BQE	BB13D-22QQE
GM2	22	BB13D-22BSE	BB13D-22BQE	BB13D-22QQE
GM2A	22	BB13D-22BSE	BB13D-22BQE	BB13D-22QQE
MR185A bis MR200A	27	BB13E-27BSE	BB13E-27BQE	BB13E-27QQE
LKH5 bis LKH60	32	BB13F-32BSE	BB13F-32BQE	BB13F-32QQE

\* Einzel GLRD Kohle/Stahl/EPDM

\* Single seal Carbon/SS/EPDM

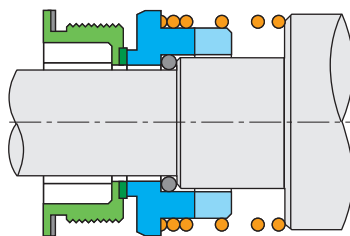
\*\* Einzel GLRD Kohle/SiC/EPDM

\*\* Single seal Carbon/SiC/EPDM

\*\*\* Einzel GLRD SiC/SiC/EPDM

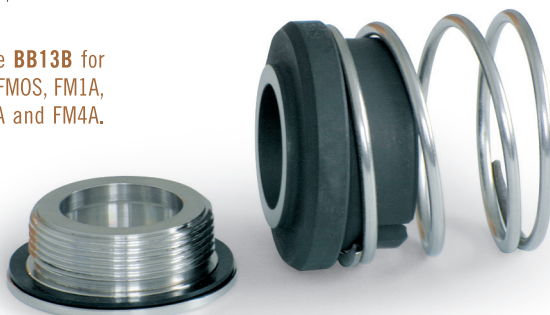
\*\*\* Single seal SiC/SiC/EPDM

Alfa Laval® und Contherm® sind registrierten Trade Marks.



Typ **BB13B** Komplettichtung für die Pumpenmodelle FMO, FMOS, FM1A, FM1AE, FM2A, FM3A und FM4A.

Complete seal Style **BB13B** for pump models FMO, FMOS, FM1A, FM1AE, FM2A, FM3A and FM4A.



ALFA LAVAL® Pumpe	mm	I.Alternativ	II. Alternativ	III. Alternativ
ALFA LAVAL® Pump	mm	I.Alternativ	II. Alternativ	III. Alternativ
		*	**	***
CM1A	22	BB13A-22BSE	BB13A-22BQE	BB13A-22QQE
CM1B	22	BB13A-22BSE	BB13A-22BQE	BB13A-22QQE
CM1C	22	BB13A-22BSE	BB13A-22BQE	BB13A-22QQE
CM1D	22	BB13A-22BSE	BB13A-22BQE	BB13A-22QQE
EM1C	22	BB13A-22BSE	BB13A-22BQE	BB13A-22QQE
EM1D	22	BB13A-22BSE	BB13A-22BQE	BB13A-22QQE
FMO	22	BB13B-22BSE	BB13B-22BQE	BB13B-22QQE
FMOS	22	BB13B-22BSE	BB13B-22BQE	BB13B-22QQE
FM1A	22	BB13B-22BSE	BB13B-22BQE	BB13B-22QQE
FM1AE	22	BB13B-22BSE	BB13B-22BQE	BB13B-22QQE
FM2A	22	BB13B-22BSE	BB13B-22BQE	BB13B-22QQE
FM3A	22	BB13B-22BSE	BB13B-22BQE	BB13B-22QQE
FM4A	22	BB13B-22BSE	BB13B-22BQE	BB13B-22QQE
MR166A	22	BB13C-22BSE	BB13C-22BQE	BB13C-22QQE
MR166B	22	BB13C-22BSE	BB13C-22BQE	BB13C-22QQE
MR166E	22	BB13C-22BSE	BB13C-22BQE	BB13C-22QQE
ME155AE	22	BB13D-22BSE	BB13D-22BQE	BB13D-22QQE
GM1	22	BB13D-22BSE	BB13D-22BQE	BB13D-22QQE
GM1A	22	BB13D-22BSE	BB13D-22BQE	BB13D-22QQE
GM2	22	BB13D-22BSE	BB13D-22BQE	BB13D-22QQE
GM2A	22	BB13D-22BSE	BB13D-22BQE	BB13D-22QQE
MR185A bis MR200A	27	BB13E-27BSE	BB13E-27BQE	BB13E-27QQE
LKH5 bis LKH60	32	BB13F-32BSE	BB13F-32BQE	BB13F-32QQE

\* Einzel GLRD Kohle/Stahl/EPDM

\* Single seal Carbon/SS/EPDM

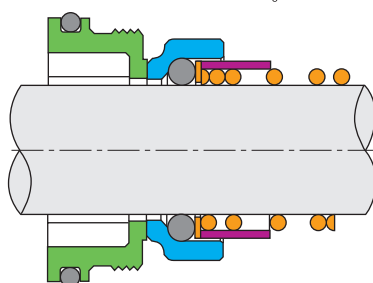
\*\* Einzel GLRD Kohle/SiC/EPDM

\*\* Single seal Carbon/SiC/EPDM

\*\*\* Einzel GLRD SiC/SiC/EPDM

\*\*\* Single seal SiC/SiC/EPDM

Alfa Laval® und Contherm® sind registrierten Trade Marks.



Typ **BB13C** Komplettdichtung für die Pumpenmodelle MR166A, MR166B und MR166E.

Style **BB13C** complete seal for pump models MR166A, MR166B and MR166E.

ALFA LAVAL® Pumpe	mm	I.Alternativ	II. Alternativ	III. Alternativ
ALFA LAVAL® Pump	mm	I.Alternativ	II. Alternativ	III. Alternativ
		*	**	***
CM1A	22	BB13A-22BSE	BB13A-22BQE	BB13A-22QQE
CM1B	22	BB13A-22BSE	BB13A-22BQE	BB13A-22QQE
CM1C	22	BB13A-22BSE	BB13A-22BQE	BB13A-22QQE
CM1D	22	BB13A-22BSE	BB13A-22BQE	BB13A-22QQE
EM1C	22	BB13A-22BSE	BB13A-22BQE	BB13A-22QQE
EM1D	22	BB13A-22BSE	BB13A-22BQE	BB13A-22QQE
FMO	22	BB13B-22BSE	BB13B-22BQE	BB13B-22QQE
FMOS	22	BB13B-22BSE	BB13B-22BQE	BB13B-22QQE
FM1A	22	BB13B-22BSE	BB13B-22BQE	BB13B-22QQE
FM1AE	22	BB13B-22BSE	BB13B-22BQE	BB13B-22QQE
FM2A	22	BB13B-22BSE	BB13B-22BQE	BB13B-22QQE
FM3A	22	BB13B-22BSE	BB13B-22BQE	BB13B-22QQE
FM4A	22	BB13B-22BSE	BB13B-22BQE	BB13B-22QQE
MR166A	22	BB13C-22BSE	BB13C-22BQE	BB13C-22QQE
MR166B	22	BB13C-22BSE	BB13C-22BQE	BB13C-22QQE
MR166E	22	BB13C-22BSE	BB13C-22BQE	BB13C-22QQE
ME155AE	22	BB13D-22BSE	BB13D-22BQE	BB13D-22QQE
GM1	22	BB13D-22BSE	BB13D-22BQE	BB13D-22QQE
GM1A	22	BB13D-22BSE	BB13D-22BQE	BB13D-22QQE
GM2	22	BB13D-22BSE	BB13D-22BQE	BB13D-22QQE
GM2A	22	BB13D-22BSE	BB13D-22BQE	BB13D-22QQE
MR185A bis MR200A	27	BB13E-27BSE	BB13E-27BQE	BB13E-27QQE
LKH5 bis LKH60	32	BB13F-32BSE	BB13F-32BQE	BB13F-32QQE

\* Einzel GLRD Kohle/Stahl/EPDM

\* Single seal Carbon/SS/EPDM

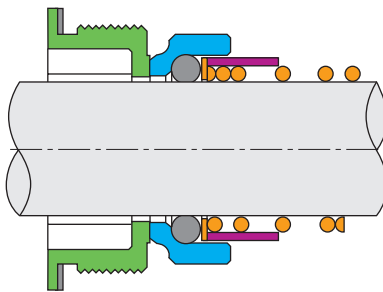
\*\* Einzel GLRD Kohle/SiC/EPDM

\*\* Single seal Carbon/SiC/EPDM

\*\*\* Einzel GLRD SiC/SiC/EPDM

\*\*\* Single seal SiC/SiC/EPDM

Alfa Laval® und Contherm® sind registrierten Trade Marks.



Typ **BB13D** Komplettdichtung für die Pumpenmodelle ME155AE, GM1, GM1A, GM2 und GM2A.

Style **BB13D** complete seal for pump models ME155AE, GM1, GM1A, GM2 und GM2A.

ALFA LAVAL® Pumpe	mm	I.Alternativ	II. Alternativ	III. Alternativ
ALFA LAVAL® Pump	mm	I.Alternativ	II. Alternativ	III. Alternativ
		*	**	***
CM1A	22	BB13A-22BSE	BB13A-22BQE	BB13A-22QQE
CM1B	22	BB13A-22BSE	BB13A-22BQE	BB13A-22QQE
CM1C	22	BB13A-22BSE	BB13A-22BQE	BB13A-22QQE
CM1D	22	BB13A-22BSE	BB13A-22BQE	BB13A-22QQE
EM1C	22	BB13A-22BSE	BB13A-22BQE	BB13A-22QQE
EM1D	22	BB13A-22BSE	BB13A-22BQE	BB13A-22QQE
FMO	22	BB13B-22BSE	BB13B-22BQE	BB13B-22QQE
FMOS	22	BB13B-22BSE	BB13B-22BQE	BB13B-22QQE
FM1A	22	BB13B-22BSE	BB13B-22BQE	BB13B-22QQE
FM1AE	22	BB13B-22BSE	BB13B-22BQE	BB13B-22QQE
FM2A	22	BB13B-22BSE	BB13B-22BQE	BB13B-22QQE
FM3A	22	BB13B-22BSE	BB13B-22BQE	BB13B-22QQE
FM4A	22	BB13B-22BSE	BB13B-22BQE	BB13B-22QQE
MR166A	22	BB13C-22BSE	BB13C-22BQE	BB13C-22QQE
MR166B	22	BB13C-22BSE	BB13C-22BQE	BB13C-22QQE
MR166E	22	BB13C-22BSE	BB13C-22BQE	BB13C-22QQE
ME155AE	22	BB13D-22BSE	BB13D-22BQE	BB13D-22QQE
GM1	22	BB13D-22BSE	BB13D-22BQE	BB13D-22QQE
GM1A	22	BB13D-22BSE	BB13D-22BQE	BB13D-22QQE
GM2	22	BB13D-22BSE	BB13D-22BQE	BB13D-22QQE
GM2A	22	BB13D-22BSE	BB13D-22BQE	BB13D-22QQE
MR185A bis MR200A	27	BB13E-27BSE	BB13E-27BQE	BB13E-27QQE
LKH5 bis LKH60	32	BB13F-32BSE	BB13F-32BQE	BB13F-32QQE

\* Einzel GLRD Kohle/Stahl/EPDM

\* Single seal Carbon/SS/EPDM

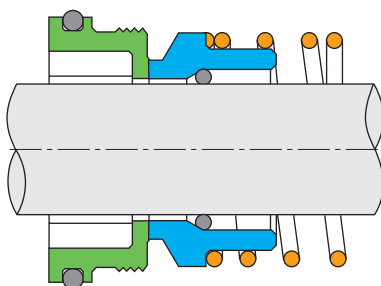
\*\* Einzel GLRD Kohle/SiC/EPDM

\*\* Single seal Carbon/SiC/EPDM

\*\*\* Einzel GLRD SiC/SiC/EPDM

\*\*\* Single seal SiC/SiC/EPDM

Alfa Laval® und Contherm® sind registrierten Trade Marks.



Typ **BB13E** 27 mm Komplettdichtung  
für die Pumpenmodelle MR185A bis  
MR 200A.

Style **BB13E** 27 mm complete seal  
for pump models MR185A to  
MR200A.

ALFA LAVAL® Pumpe	mm	I.Alternativ	II. Alternativ	III. Alternativ
ALFA LAVAL® Pump	mm	I.Alternativ	II. Alternativ	III. Alternativ
		*	**	***
CM1A	22	BB13A-22BSE	BB13A-22BQE	BB13A-22QQE
CM1B	22	BB13A-22BSE	BB13A-22BQE	BB13A-22QQE
CM1C	22	BB13A-22BSE	BB13A-22BQE	BB13A-22QQE
CM1D	22	BB13A-22BSE	BB13A-22BQE	BB13A-22QQE
EM1C	22	BB13A-22BSE	BB13A-22BQE	BB13A-22QQE
EM1D	22	BB13A-22BSE	BB13A-22BQE	BB13A-22QQE
FMO	22	BB13B-22BSE	BB13B-22BQE	BB13B-22QQE
FMOS	22	BB13B-22BSE	BB13B-22BQE	BB13B-22QQE
FM1A	22	BB13B-22BSE	BB13B-22BQE	BB13B-22QQE
FM1AE	22	BB13B-22BSE	BB13B-22BQE	BB13B-22QQE
FM2A	22	BB13B-22BSE	BB13B-22BQE	BB13B-22QQE
FM3A	22	BB13B-22BSE	BB13B-22BQE	BB13B-22QQE
FM4A	22	BB13B-22BSE	BB13B-22BQE	BB13B-22QQE
MR166A	22	BB13C-22BSE	BB13C-22BQE	BB13C-22QQE
MR166B	22	BB13C-22BSE	BB13C-22BQE	BB13C-22QQE
MR166E	22	BB13C-22BSE	BB13C-22BQE	BB13C-22QQE
ME155AE	22	BB13D-22BSE	BB13D-22BQE	BB13D-22QQE
GM1	22	BB13D-22BSE	BB13D-22BQE	BB13D-22QQE
GM1A	22	BB13D-22BSE	BB13D-22BQE	BB13D-22QQE
GM2	22	BB13D-22BSE	BB13D-22BQE	BB13D-22QQE
GM2A	22	BB13D-22BSE	BB13D-22BQE	BB13D-22QQE
MR185A bis MR200A	27	BB13E-27BSE	BB13E-27BQE	BB13E-27QQE
LKH5 bis LKH60	32	BB13F-32BSE	BB13F-32BQE	BB13F-32QQE

\* Einzel GLRD Kohle/Stahl/EPDM

\* Single seal Carbon/SS/EPDM

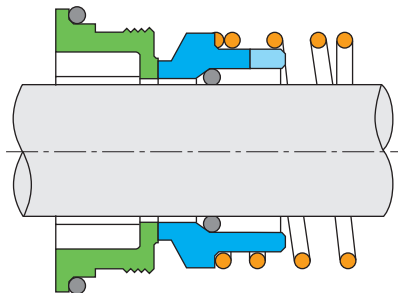
\*\* Einzel GLRD Kohle/SiC/EPDM

\*\* Single seal Carbon/SiC/EPDM

\*\*\* Einzel GLRD SiC/SiC/EPDM

\*\*\* Single seal SiC/SiC/EPDM

Alfa Laval® und Contherm® sind registrierten Trade Marks.



Typ **BB13F** 32 mm Komplettdichtung für Pumpenmodelle LKH5 bis LKH60.

Typ **BB13FD** 32 mm komplette Doppeldichtung auch Verfügbar.

Typ **BB13FT** 32 mm Tellerfeder für Einzeldichtung oder Dichtung mit Sperrwasservorrichtung erhältlich.

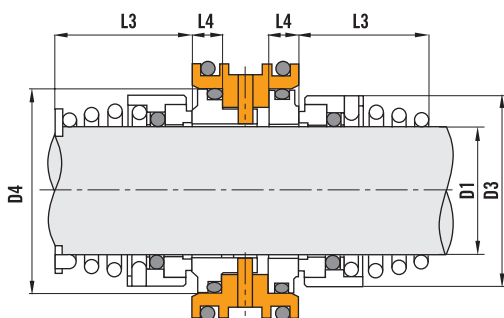
Style **BB13F** 32 mm complete seal, for pump models LKH5 through to LKH60.

Style **BB13FD** 32 mm complete double seal also available.

Style **BB13FT** 32 mm drive bases for single or flushed seals available.



Beschreibung	Welle mm	Billi GLRD	Billi Teil Nr
Description	Shaft mm	Billi seal No.	Billi item No.
Zentrales Stahlgehäuse Central collet	30	BB15E	BB15E-30
Zentrales Stahlgehäuse Central collet	35	BB15E	BB15E-35



Beschreibung	Welle mm	Billi GLRD	Billi Teil Nr.	Typ
Description	Shaft mm	Billi seal No.	Billi item No.	Type
Rotierendes Teil mit Tellerfeder Innen GLRD Inboard Rotary with base plate	30	BB14T	BB14T-30BE	*
	30	BB14T	BB14T-30QE	**
	30	BB14T	BB14T-30UE	***
	35	BB14R	BB14R-35BE	*
	35	BB14R	BB14R-35QE	**
	35	BB14R	BB14R-35UE	***

\*einzel GLRD Kohle/EPDM

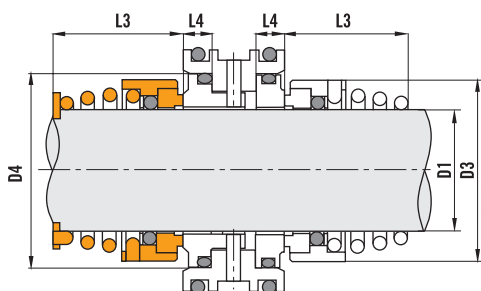
\*\*einzel GLRD SiC/EPDM

\*\*\*einzel GLRD TC/EPDM

\*single seal Carbon/EPDM

\*\*single seal SiC/EPDM

\*\*\*single seal TC/EPDM



Beschreibung	Welle mm	Billi GLRD	Billi Teil Nr.	Typ
Description	Shaft mm	Billi seal No.	Billi item No.	Type
Stationäres Teil mit Nut Innen GLRD Inboard pinned seat	30	BB14ST6	BB14ST6-30SE	*
	30	BB14ST6	BB14ST6-30QE	**
	30	BB14ST6	BB14ST6-30UE	***
	35	BB14ST6	BB14ST6-35SE	*
	35	BB14ST6	BB14ST6-35QE	**
	35	BB14ST6	BB14ST6-35UE	***

\* Stationär Stahl/EPDM

\*\* Stationär SiC/EPDM

\*\*\* Stationär TC/EPDM

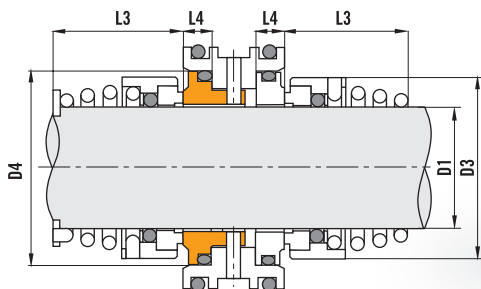
\* Stationary SS/EPDM

\*\* Stationary SiC/EPDM

\*\*\* Stationary TC/EPDM

### Billi standard

D1	D3	D4	L3	L4
30	43,80	48,00	22,00	7,60
35	48,90	55,50	26,00	8,60





Beschreibung	Welle mm	Billi GLRD	Billi Teil Nr.	Typ
Description	Shaft mm	Billi seal No.	Billi item No.	Type
Stationäres Teil ohne Nut Aussen GLRD Outboard Seat	30	BB14ST5	BB14ST5-30SE	*
	30	BB14ST5	BB14ST5-30QE	**
	30	BB14ST5	BB14ST5-30UE	***
	35	BB14ST5	BB14ST5-35SE	*
	35	BB14ST5	BB14ST5-35QE	**
	35	BB14ST5	BB14ST5-35UE	***

\* Stationär Stahl/EPDM

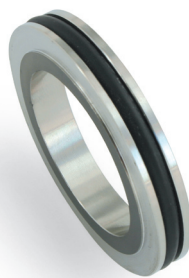
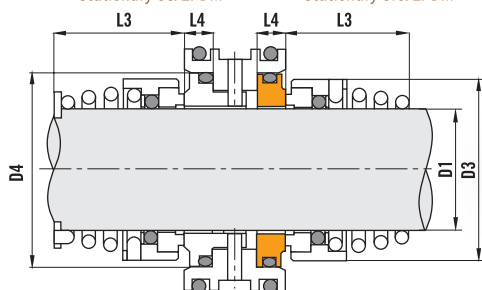
\* Stationary SS/EPDM

\*\* Stationär SiC/EPDM

\*\* Stationary SiC/EPDM

\*\*\* Stationär TC/EPDM

\*\*\* Stationary TC/EPDM



Beschreibung	Welle mm	Billi GLRD	Billi Teil Nr.	Typ
Description	Shaft mm	Billi seal No.	Billi item No.	Type
Rotierendes Teil mit Linksfeder Aussen GLRD Outboard Rotary with left spring and no plate	30	BB14L	BB14L-30BE	*
	30	BB14L	BB14L-30QE	**
	30	BB14L	BB14L-30UE	***
	35	BB14L	BB14L-35BE	*
	35	BB14L	BB14L-35QE	**
	35	BB14L	BB14L-35UE	***

\* einzel GLRD Kohle/EPDM

\* single seal Carbon/EPDM

\*\* einzel GLRD SiC/EPDM

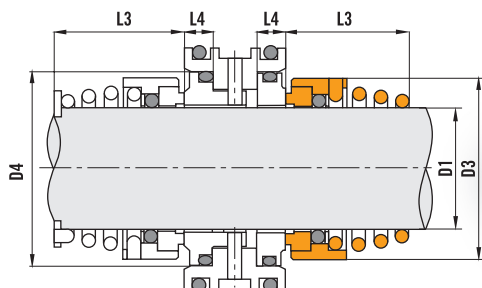
\*\* single seal SiC/EPDM

\*\*\* einzel GLRD TC/EPDM

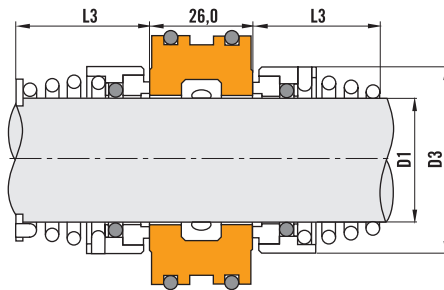
\*\*\* single seal TC/EPDM

### Billi standard

D1	D3	D4	L3	L4
30	43,80	48,00	22,00	7,60
35	48,90	55,50	26,00	8,60



Beschreibung	Welle mm	Billi GLRD	Billi Teil Nr
Description	Shaft mm	Billi seal No.	Billi item No.
Zentrales Stahlgehäuse mit geläpften Fläche Central collet with lapped faces	30	BB15F	BB15F-30
Zentrales Stahlgehäuse mit geläpften Fläche Central collet with lapped faces	35	BB15F	BB15F-35

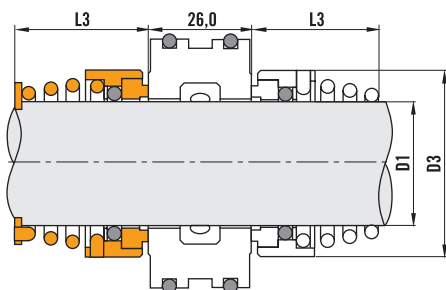


Beschreibung	Welle mm	Billi GLRD	Billi Teil Nr.	Typ
Description	Shaft mm	Billi seal No.	Billi item No.	Type
Rotierendes Teil mit Tellerfeder Innen GLRD Inboard Rotary with base plate	30	BB14T	BB14T-30BE	*
	30	BB14T	BB14T-30QE	**
	30	BB14T	BB14T-30UE	***
	35	BB14R	BB14R-35BE	*
	35	BB14R	BB14R-35QE	**
	35	BB14R	BB14R-35UE	***

\* einzel GLRD Kohle/EPDM  
\* single seal Carbon/EPDM

\*\* einzel GLRD SiC/EPDM  
\*\* single seal SiC/EPDM

\*\*\* einzel GLRD TC/EPDM  
\*\*\* single seal TC/EPDM



Beschreibung	Welle mm	Billi GLRD	Billi Teil Nr.	Typ
Description	Shaft mm	Billi seal No.	Billi item No.	Type
Rotierendes Teil mit Linksfeder Aussen GLRD Outboard Rotary with left spring and no plate	30	BB14L	BB14L-30BE	*
	30	BB14L	BB14L-30QE	**
	30	BB14L	BB14L-30UE	***
	35	BB14L	BB14L-35BE	*
	35	BB14L	BB14L-35QE	**
	35	BB14L	BB14L-35UE	***

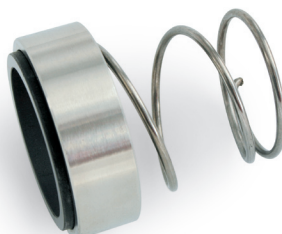
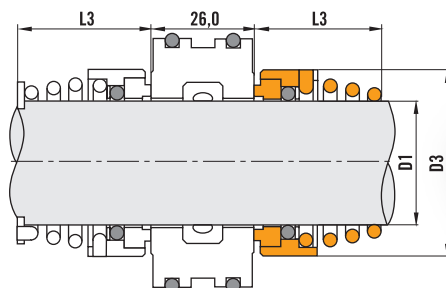
\* einzel GLRD Kohle/EPDM  
\* single seal Carbon/EPDM

\*\* einzel GLRD SiC/EPDM  
\*\* single seal SiC/EPDM

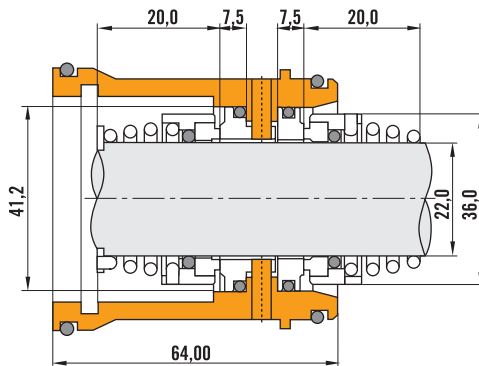
\*\*\* einzel GLRD TC/EPDM  
\*\*\* single seal TC/EPDM

**Billi standard**

D1	D3	L3
30	43,80	22,00
35	48,90	26,00



Beschreibung	Welle mm	Billi GLRD	Billi Teil Nr
Description	Shaft mm	Billi seal No.	Billi item No.
Stahlgehäuse aussen ohne Kohlebuchse Outer collet without internal carbon bush	22	BB15A	BB15A-22

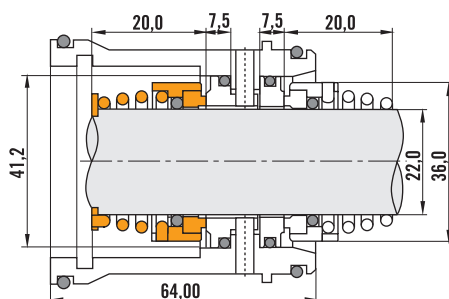


Beschreibung	Welle mm	Billi GLRD	Billi Teil Nr.	Typ
Description	Shaft mm	Billi seal No.	Billi item No.	Type
Rotierendes Teil mit Tellerfeder Innen GLRD	22	BB14T	BB14T-22BE	*
Inboard Rotary with base plate	22	BB14T	BB14T-22QE	**
	22	BB14T	BB14T-22UE	***

\* einzel GLRD Kohle/EPDM  
\* single seal Carbon/EPDM

\*\* einzel GLRD SiC/EPDM  
\*\* single seal SiC/EPDM

\*\*\* einzel GLRD TC/EPDM  
\*\*\* single seal TC/EPDM

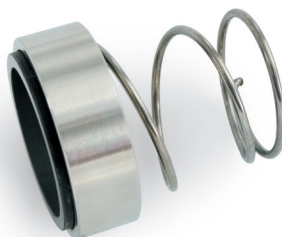
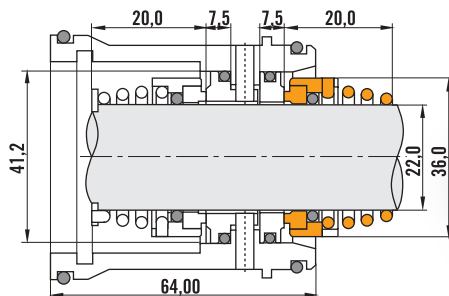


Beschreibung	Welle mm	Billi GLRD	Billi Teil Nr.	Typ
Description	Shaft mm	Billi seal No.	Billi item No.	Type
Rotierendes Teil mit Linksfeder Aussen GLRD	22	BB14L	BB14L-22BE	*
Outboard Rotary with left spring and no plate	22	BB14L	BB14L-22QE	**
	22	BB14L	BB14L-22UE	***

\* einzel GLRD Kohle/EPDM  
\* single seal Carbon/EPDM

\*\* einzel GLRD SiC/EPDM  
\*\* single seal SiC/EPDM

\*\*\* einzel GLRD TC/EPDM  
\*\*\* single seal TC/EPDM



Beschreibung	Welle mm	Billi GLRD	Billi Teil Nr.	Typ
Description	Shaft mm	Billi seal No.	Billi item No.	Type
Stationäres Teil mit Nut	22	BB14ST6	BB14ST6-22SE	*
Innen GLRD	22	BB14ST6	BB14ST6-22QE	**
Inboard pinned seat	22	BB14ST6	BB14ST6-22UE	***

\* Stationär Stahl/EPDM

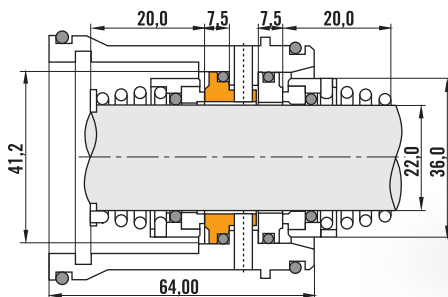
\* Stationary SS/EPDM

\*\* Stationär SiC/EPDM

\*\* Stationary SiC/EPDM

\*\*\* Stationär TC/EPDM

\*\*\* Stationary TC/EPDM



Beschreibung	Welle mm	Billi GLRD	Billi Teil Nr.	Typ
Description	Shaft mm	Billi seal No.	Billi item No.	Type
Stationäres Teil ohne Nut	22	BB14ST5	BB14ST5-22SE	*
Aussen GLRD	22	BB14ST5	BB14ST5-22QE	**
Outboard Seat	22	BB14ST5	BB14ST5-22UE	***

\* Stationär Stahl/EPDM

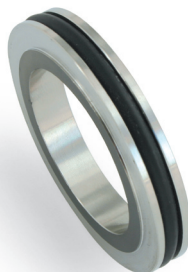
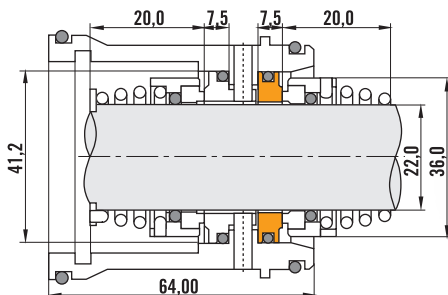
\* Stationary SS/EPDM

\*\* Stationär SiC/EPDM

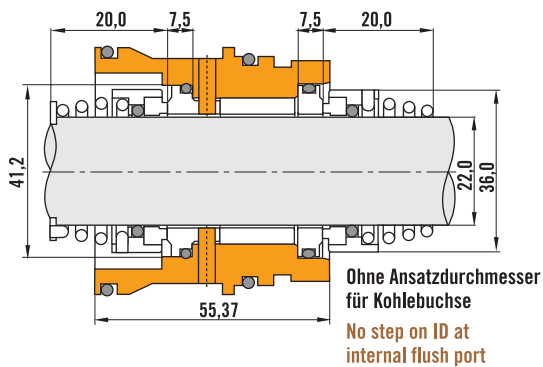
\*\* Stationary SiC/EPDM

\*\*\* Stationär TC/EPDM

\*\*\* Stationary TC/EPDM

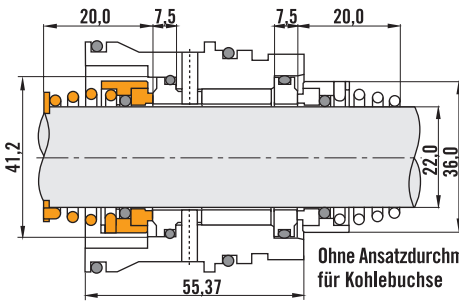


Beschreibung	Welle mm	Billi GLRD	Billi Teil Nr
Description	Shaft mm	Billi seal No.	Billi item No.
Stahlgehäuse aussen mit Kohlebuchse Outer collet with internal carbon bush	22	BB15B	BB15B-22



Rotierendes Teil mit Tellerfeder	22	BB14T	BB14T-22BE	*
Innen GLRD	22	BB14T	BB14T-22QE	**
Inboard Rotary with base plate	22	BB14T	BB14T-22UE	***

\* einzel GLRD Kohle/EPDM    \*\* einzel GLRD SiC/EPDM    \*\*\* einzel GLRD TC/EPDM  
 \* single seal Carbon/EPDM    \*\* single seal SiC/EPDM    \*\*\* single seal TC/EPDM

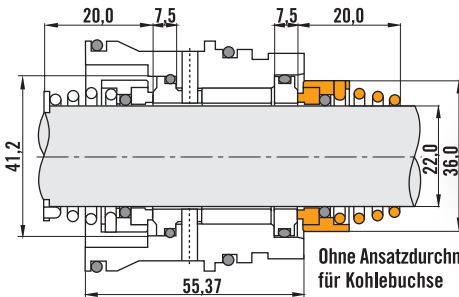


Ohne Ansatzdurchmesser  
für Kohlebuchse  
No step on ID at  
internal flush port

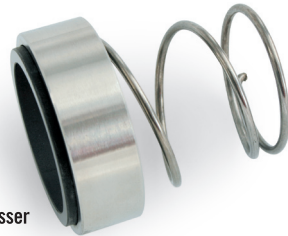


Beschreibung	Welle mm	Billi GLRD	Billi Teil Nr.	Typ
Description	Shaft mm	Billi seal No.	Billi item No.	Type
Rotierendes Teil mit Linksfeder	22	BB14L	BB14L-22BE	*
Aussen GLRD	22	BB14L	BB14L-22QE	**
Outboard Rotary with left spring and no plate	22	BB14L	BB14L-22UE	***

\* einzel GLRD Kohle/EPDM    \*\* einzel GLRD SiC/EPDM    \*\*\* einzel GLRD TC/EPDM  
 \* single seal Carbon/EPDM    \*\* single seal SiC/EPDM    \*\*\* single seal TC/EPDM



Ohne Ansatzdurchmesser  
für Kohlebuchse  
No step on ID at  
internal flush port





Beschreibung	Welle mm	Billi GLRD	Billi Teil Nr.	Typ
Description	Shaft mm	Billi seal No.	Billi item No.	Type
Stationäres Teil mit Nut	22	BB14ST6	BB14ST6-22SE	*
Innen GLRD	22	BB14ST6	BB14ST6-22QE	**
Inboard pinned seat	22	BB14ST6	BB14ST6-22UE	***

\* Stationär Stahl/EPDM

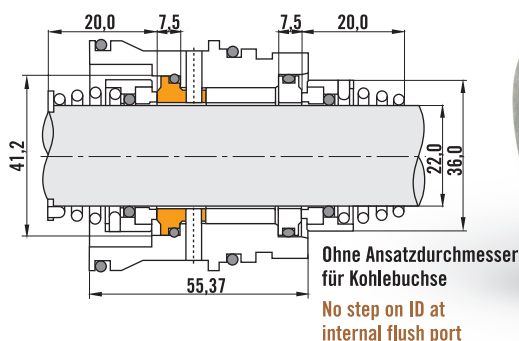
\*\* Stationär SiC/EPDM

\*\*\* Stationär TC/EPDM

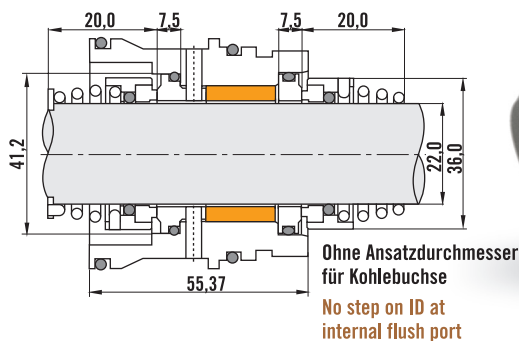
\* Stationary SS/EPDM

\*\* Stationary SiC/EPDM

\*\*\* Stationary TC/EPDM



Beschreibung	Welle mm	Billi GLRD	Billi Teil Nr
Description	Shaft mm	Billi seal No.	Billi item No.
Kohlebuchse	22	BB14D	BB114D-22B
Carbon bushing			

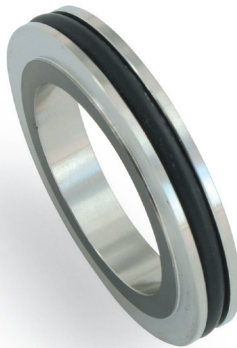
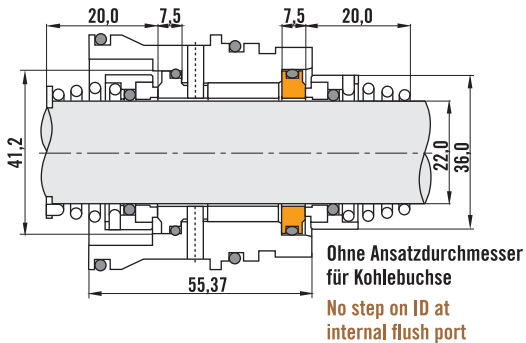


Beschreibung	Welle mm	Billi GLRD	Billi Teil Nr.	Typ
Description	Shaft mm	Billi seal No.	Billi item No.	Type
Stationäres Teil ohne Nut	22	BB14ST5	BB14ST5-22SE	*
Aussen GLRD	22	BB14ST5	BB14ST5-22QE	**
Outboard Seat	22	BB14ST5	BB14ST5-22UE	***

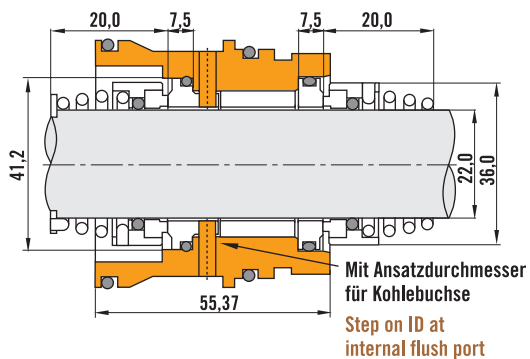
\* Stationär Stahl/EPDM  
\* Stationary SS/EPDM

\*\* Stationär SiC/EPDM  
\*\* Stationary SiC/EPDM

\*\*\* Stationär TC/EPDM  
\*\*\* Stationary TC/EPDM

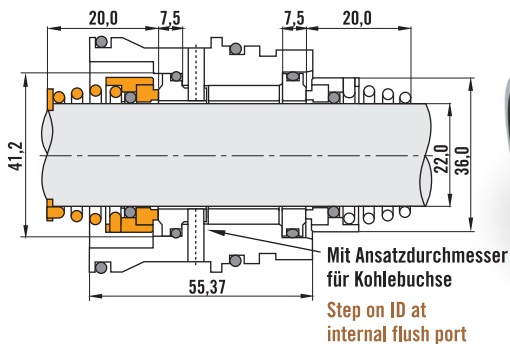


Beschreibung	Welle mm	Billi GLRD	Billi Teil Nr
Description	Shaft mm	Billi seal No.	Billi item No.
Stahlgehäuse aussen mit Kohlebuche und reduzierten ID im Sperrwasserbereich	22	BB15C	BB15C-22
Outer collect with internal carbon bush and reduced ID dim. at internal Flush Port			



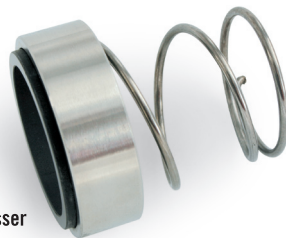
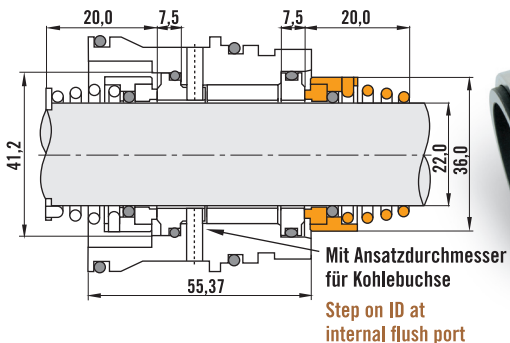
Beschreibung	Welle mm	Billi GLRD	Billi Teil Nr.	Typ
Description	Shaft mm	Billi seal No.	Billi item No.	Type
Rotierendes Teil mit Tellerfeder Innen GLRD	22	BB14T	BB14T-22BE	*
Inboard Rotary with base plate	22	BB14T	BB14T-22QE	**
	22	BB14T	BB14T-22UE	***

\* einzel GLRD Kohle/EPDM    \*\* einzel GLRD SiC/EPDM    \*\*\* einzel GLRD TC/EPDM  
 \* single seal Carbon/EPDM    \*\* single seal SiC/EPDM    \*\*\* single seal TC/EPDM



Beschreibung	Welle mm	Billi GLRD	Billi Teil Nr.	Typ
Description	Shaft mm	Billi seal No.	Billi item No.	Type
Rotierendes Teil mit Linksfeder Aussen GLRD	22	BB14L	BB14L-22BE	*
Outboard Rotary with left spring and no plate	22	BB14L	BB14L-22QE	**
	22	BB14L	BB14L-22UE	***

\* einzel GLRD Kohle/EPDM    \*\* einzel GLRD SiC/EPDM    \*\*\* einzel GLRD TC/EPDM  
 \* single seal Carbon/EPDM    \*\* single seal SiC/EPDM    \*\*\* single seal TC/EPDM

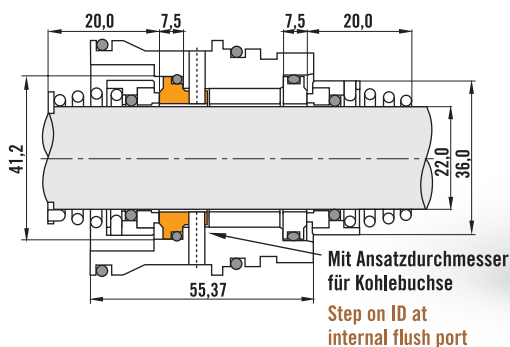


Beschreibung	Welle mm	Billi GLRD	Billi Teil Nr.	Typ
Description	Shaft mm	Billi seal No.	Billi item No.	Type
Stationäres Teil mit Nut	22	BB14ST6	BB14ST6-22SE	*
Innen GLRD	22	BB14ST6	BB14ST6-22QE	**
Inboard pinned seat	22	BB14ST6	BB14ST6-22UE	***

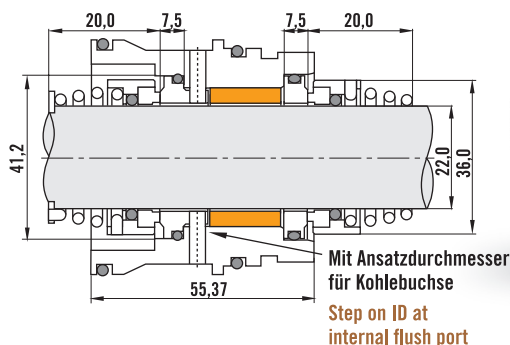
\* Stationär Stahl/EPDM  
\* Stationary SS/EPDM

\*\* Stationär SiC/EPDM  
\*\* Stationary SiC/EPDM

\*\*\* Stationär TC/EPDM  
\*\*\* Stationary TC/EPDM



Beschreibung	Welle mm	Billi GLRD	Billi Teil Nr
Description	Shaft mm	Billi seal No.	Billi item No.
Kohlebuchse	22	BB14D	BB114D-22B
Carbon bushing			



Beschreibung	Welle mm	Billi GLRD	Billi Teil Nr.	Typ
Description	Shaft mm	Billi seal No.	Billi item No.	Type
Stationäres Teil ohne Nut	22	BB14ST5	BB14ST5-22SE	*
Aussen GLRD	22	BB14ST5	BB14ST5-22QE	**
Outboard Seat	22	BB14ST5	BB14ST5-22UE	***

\* Stationär Stahl/EPDM

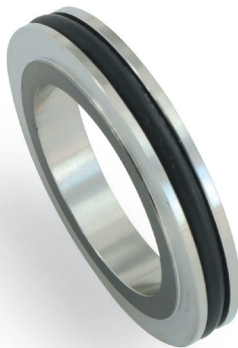
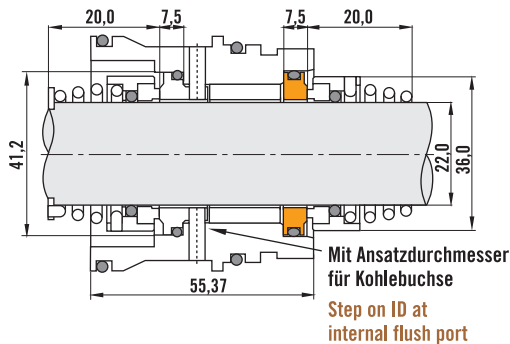
\* Stationary SS/EPDM

\*\* Stationär SiC/EPDM

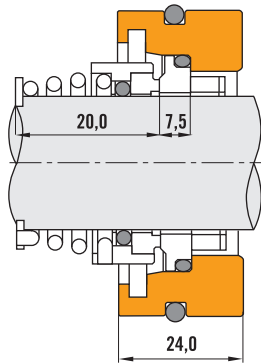
\*\* Stationary SiC/EPDM

\*\*\* Stationär TC/EPDM

\*\*\* Stationary TC/EPDM



Beschreibung	Welle mm	Billi GLRD	Billi Teil Nr
Description	Shaft mm	Billi seal No.	Billi item No.
Stahlgehäuse für einzel GLRD	22	BB15D	BB15D-22
Collect for single seal arrangement			

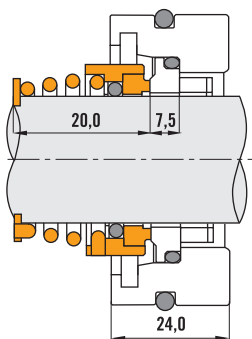


Beschreibung	Welle mm	Billi GLRD	Billi Teil Nr.	Typ
Description	Shaft mm	Billi seal No.	Billi item No.	Type
Rotierendes Teil mit Tellerfeder	22	BB14T	BB14T-22BE	*
Innen GLRD	22	BB14T	BB14T-22QE	**
Inboard Rotary with base plate	22	BB14T	BB14T-22UE	***

\* einzel GLRD Kohle/EPDM  
\* single seal Carbon/EPDM

\*\* einzel GLRD SiC/EPDM  
\*\* single seal SiC/EPDM

\*\*\* einzel GLRD TC/EPDM  
\*\*\* single seal TC/EPDM

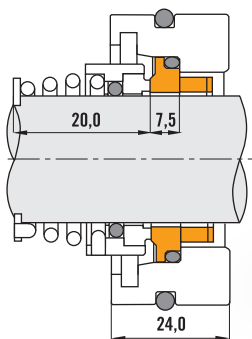


Beschreibung	Welle mm	Billi GLRD	Billi Teil Nr.	Typ
Description	Shaft mm	Billi seal No.	Billi item No.	Type
Stationäres Teil mit Nut	22	BB14ST6	BB14ST6-22SE	*
Innen GLRD	22	BB14ST6	BB14ST6-22QE	**
Inboard pinned seat	22	BB14ST6	BB14ST6-22UE	***

\* Stationär Stahl/EPDM  
\* Stationary SS/EPDM

\*\* Stationär SiC/EPDM  
\*\* Stationary SiC/EPDM

\*\*\* Stationär TC/EPDM  
\*\*\* Stationary TC/EPDM





Beschreibung	Welle mm	Billi GLRD	Billi Teil Nr
Description	Shaft mm	Billi seal No.	Billi item No.
Rotierendes Teil, Gummibalg alternativ zu Linksfeder Outboard Rotary rubber bellow alternative to left spring	22	BB14A	BB14A-22BE
	22	BB14B	BB14B-22BE
	22	BB14C	BB14C-22BE
	30	BB14B	BB14B-30BE
	30	BB14C	BB14C-30BE



BB14 A



BB14 B

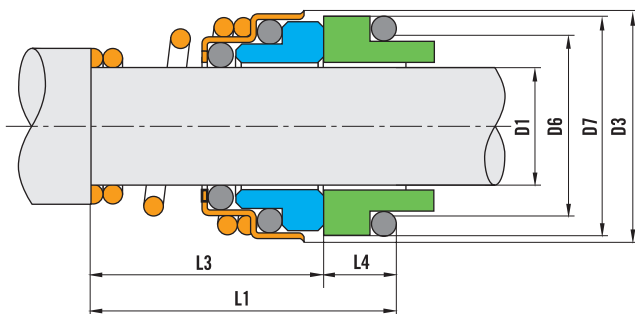


BB14 C

**Mechanical Seals for LOWARA® Pumps**

Dichtung Typ BB5 für Lowara® CEA/A, BG/A, CO/A und HM/A Pumpen mit neuem SM Motor. Es handelt sich um eine veränderte rechtsdrehende Gleitringdichtung Typ BB5 mit rotierendem Teil aus SiC oder Wolframkarbid und Stationärteil aus SiC oder Wolframkarbid, erhältlich mit den gängigen Elastomeren. Weitere Werkstoffpaarungen sind auf Anfrage erhältlich. Fast alle gängigen Lowara®-Pumpen können direkt mit einer BB5 Dichtung oder einer ähnlichen ausgerüstet werden. Bitte setzen Sie sich hierfür mit Angabe des Pumpenmodells oder einer Musterdichtung mit uns in Verbindung.

Style BB5 seal to suit Lowara® CEA/A, BG/A, CO/A and HM/A pumps fitted with the new SM motor. They are modified Style BB5 tapered right-hand spring seals, with Silicon or Tungsten Carbide faces vs. Silicon or Tungsten Carbide stationary supplied with the usual choice of O-Rings, please specify at time of order. Other face material combinations available to order. Practically all common Lowara® pumps can be fitted with a direct replacement Style BB5 seal or similar. Please contact us with the pump model number or sample seal.



D1	D3	L3	D7	L4	D6	L1
mm	mm	mm	mm	mm	mm	mm
10	19,50	15,00	18,10	5,50	14,00	20,50
11	22,50	18,00	20,60	5,50	16,50	23,50
12	22,50	18,00	20,60	5,50	16,50	23,50
13	24,50	22,00	23,10	6,00	19,00	28,00
14	24,50	22,00	23,10	6,00	19,00	28,00
15	29,00	22,00	26,90	7,00	21,00	29,00
16	29,00	23,00	26,90	7,00	21,00	30,00
17	29,00	23,00	26,90	7,00	21,00	30,00
18	32,50	24,00	30,90	8,00	25,00	32,00
19	32,50	25,00	30,90	8,00	25,00	33,00
20	32,50	25,00	30,90	8,00	25,00	33,00
22	37,50	25,00	35,40	8,00	30,00	33,00
24	37,50	27,00	35,40	8,00	30,00	35,00
25	40,00	27,00	38,20	8,50	33,00	35,50
28	46,00	29,00	43,30	9,00	38,00	38,00
30	46,00	30,00	43,30	9,00	38,00	39,00
32	46,00	30,00	43,30	9,00	38,00	39,00
33	48,00	30,00	53,50	11,50	45,00	41,50
35	50,00	39,00	53,50	11,50	45,00	50,50
38	56,00	39,00	60,50	11,50	52,00	50,50
40	58,00	39,00	60,50	11,50	52,00	50,50

**Eigenschaften:**

Einzel-Gleitringdichtung  
 Konische Feder  
 Drehrichtungsabhängig  
 Nichtentlastet

**Einsatzgrenzen:**

Druck  $p = 10$  bar  
 Geschwindigkeit  $v = 20$  m/sec.  
 Temperatur  $t = -20+180^{\circ}\text{C}$

- **Gleitring** = Al-Oxid, SiC, WC
- **Gegenring** = Kohle, SiC, WC
- **Nebendichtung** = NBR, EPDM, VITON®
- **Feder** = 1.4301
- **Sonstige Teile** = 1.4301

**Characteristics:**

Single Spring Seal  
 Conical Spring  
 Single Directional  
 Unbalanced

**Limit of applications:**

Pressure  $p = 10$  bar  
 Speed  $v = 20$  m/sec.  
 Temperature  $t = -20+180^{\circ}\text{C}$

- **Rotary** = Al-Oxide, SiC, TC
- **Stationary** = Carbon, SiC, TC
- **Secondary Seal** = NBR, EPDM, VITON®
- **Spring** = AISI 304
- **Other Parts** = AISI 304

Dichtung Typ **BB16** geeignet für Flygt® und Grindex® Tauchpumpen und Mixer, ohne die Notwendigkeit einer Veränderung an den Pumpen. Für den Einbau des Typ **BB16** wird kein zusätzliches Werkzeug benötigt. Die meisten Ausführungen haben zur leichteren Montage eine voreingestellte Einbaulänge, die von einer zu entfernenden Einbauhilfe gehalten wird. Der Typ **BB16** wird hergestellt aus kerbzähen Edelstahlkomponenten im Gegensatz zu den bisher von O.E.M. verwendeten Kunststoffteilen. Aufgrund der Verwendung von massiven, veredelten Gleitflächen hat der Typ **BB16** erheblich verbesserte Eigenschaften wie Zuverlässigkeit und Lebensdauer.

Alle **BB16** Dichtungen sind standardmässig mit NBR Elastomerteilen ausgerüstet. Die Gleitflächen der oberen Dichtung sind aus Kohle/Wolframkarbid und die der unteren Dichtung aus Wolframkarbid/Wolframkarbid. Die einzige Ausnahme ist der Typ **BB16D** 15 mm Doppeldichtung, die mit SiC/SiC innen und SiC/Kohle aussen geliefert wird. Alle Artikelnummern des Typs **BB16** bezeichnen die komplette Dichtung, egal ob Obere oder Untere. Wir bieten ebenfalls O-Ringsätze für die Gehäuse der meisten Pumpen an, sowie auf Anfrage eine Lippendichtung.

Style **BB16** seal is a direct replacement seal for Flygt® and Grindex® submersible pumps and mixers, with no pump modification necessary. The Style **BB16** require no additional fitting tool, and most typs have pre-set working length operated by a removable setting clip, for easy installation. The **BB16** seals are manufactured with resilient stainless steel components, as opposed to the plastic parts commonly utilised in the O.E.M. designs. These seals benefit from utilising solid seals faces with improved materials and designs which results in better and superior seal performance, reliability and life.

All Style **BB16** are supplied fitted with NBR elastomers and O-Rings as standard, with Carbon vs. Tungsten Carbide faces for Upper Seals, Tungsten Carbide vs. Tungsten Carbide for Lower Seals. The one exception is the Style **BB16D** 15 mm Double seal, which has Silicon Carbide vs. Silicon Carbide faces inboard, Silicon Carbide vs. Carbon faces outboard. All Style **BB16** sealcodes listet below are for a complete seal, be it Upper or Lower. We also offer O-Ring kits to suit the pump housing for most models, and a Lip seal when required.



Flygt® Pumpe	Welle mm	billi obere Dichtung	billi untere Dichtung	Typ
Flygt® Pump	Shaft mm	billi upper seal	billi lower seal	Type
600	60	BB16QO-60BUN	BB16QU-60UUN	*
605	90-80	BB16SO-90BUN	BB16SU-80UUN	*
615	90-80	BB16SO-90BUN	BB16SU-80UUN	*
665	90-80	BB16SO-90BUN	BB16SU-80UUN	*
670	90-80	BB16SO-90BUN	BB16SU-80UUN	*
680	90-80	BB16SO-90BUN	BB16SU-80UUN	*
705	90-80 oder 90-120	BB16SO-90BUN	BB16SU-80UUN / BB16TU-120	*
715	90-80 oder 90-120	BB16SO-90BUN	BB16SU-80UUN / BB16TU-120	*
720	90-80 oder 90-120	BB16SO-90BUN	BB16SU-80UUN / BB16TU-120	*
721	90-80 oder 90-120	BB16SO-90BUN	BB16SU-80UUN / BB16TU-120	*
735	90-80 oder 90-120	BB16SO-90BUN	BB16SU-80UUN / BB16TU-120	*
745	90-80 oder 90-120	BB16SO-90BUN	BB16SU-80UUN / BB16TU-120	*
760	90-80 oder 90-120	BB16SO-90BUN	BB16SU-80UUN / BB16TU-120	*
765	90-80 oder 90-120	BB16SO-90BUN	BB16SU-80UUN / BB16TU-120	*
770	90-80 oder 90-120	BB16SO-90BUN	BB16SU-80UUN / BB16TU-120	*
775	90-80 oder 90-120	BB16SO-90BUN	BB16SU-80UUN / BB16TU-120	*
820	90-80 oder 90-120	BB16SO-90BUN	BB16SU-80UUN / BB16TU-120	*
840	90-80 oder 90-120	BB16SO-90BUN	BB16SU-80UUN / BB16TU-120	*
841	90-80 oder 90-120	BB16SO-90BUN	BB16SU-80UUN / BB16TU-120	*
860	90-80 oder 90-120	BB16SO-90BUN	BB16SU-80UUN / BB16TU-120	*
880	90-80 oder 90-120	BB16SO-90BUN	BB16SU-80UUN / BB16TU-120	*
881	90-80 oder 90-120	BB16SO-90BUN	BB16SU-80UUN / BB16TU-120	*
900	90-80 oder 90-120	BB16SO-90BUN	BB16SU-80UUN / BB16TU-120	*
2004	15	BB16D-15QQ/QBN	existiert nicht	**
2008	15	BB16D-15QQ/QBN	existiert nicht	**
2012	15	BB16D-15QQ/QBN	existiert nicht	**
2016	15	BB16D-15QQ/QBN	existiert nicht	**
2024	20	BB16AO-20BUN	BB16AU-20UUN	*
2050	15	BB16D-15QQ/QBN	existiert nicht	**
2052	15	BB16D-15QQ/QBN	existiert nicht	**
2060	20	BB16GO-20BUN	BB16GU-20UUN	*
2066	20	BB16AO-20BUN	BB16AU-20UUN	*
2070	22	BB16EO-22BUN	BB16EU-22UUN	*
2071	22	BB16EO-22BUN	BB16FU-22UUN	*
2075	20	BB16AO-20BUN	BB16AU-20UUN	*
2082	28	BB16IO-28BUN	BB16IU-28UUN	*
2084	35	BB16KO-35BUN	BB16LU-35UUN	*
2090	28	BB16IO-28BUN	BB16IU-28UUN	*
2101	20	BB16AO-20BUN	BB16AU-20UUN	*
2125	28	BB16IO-28BUN	BB16IU-28UUN	*
2135	35	BB16KO-35BUN	BB16LU-35UUN	*
2140	28	BB16IO-28BUN	BB16IU-28UUN	*
2250	60	BB16PO-60BUN	BB16PU-60UUN	*
2290	60	BB16PO-60BUN	BB16PU-60UUN	*
2400	60	BB16RO-60BUN	BB16RU-60UUN	*
3057	20	BB16GO-20BUN	BB16HU-20UUN	*
3060	20	BB16GO-20BUN	BB16GU-20UUN	*
3065	20	BB16AO-20BUN	BB16AU-20UUN	*
3068	20	BB16GO-20BUN	BB16GU-20UUN	*
3080	20	BB16AO-20BUN	BB16AU-20UUN	*
3082	22	BB16EO-22BUN	BB16EU-22UUN	*

Flygt® Pumpe	Welle mm	billi obere Dichtung	billi untere Dichtung	Typ
Flygt® Pump	Shaft mm	billi upper seal	billi lower seal	Type
3101	28	BB16B0-28BUN	BB16BU-28UUN	*
3102	25	BB16J0-25BUN	BB16JU-25UUN	*
3127	35	BB16M0-35BUN	BB16MU-35UUN	*
3140	45	BB16Q0-45BUN	BB16QU-45UUN	*
3152	45	BB16Q0-45BUN	BB16QU-45UUN	*
3170	60	BB16Q0-60BUN	BB16QU-60UUN	*
3200	60	BB16P0-60BUN	BB16PU-60UUN	*
3201	60	BB16Q0-60BUN	BB16QU-60UUN	*
3230	90	BB16S0-90BUN	BB16SU-90UUN	*
3305	90	BB16S0-90BUN	BB16SU-90UUN	*
3310	90-120	BB16S0-90BUN	BB16TU-120UUN	*
3311	90-120	BB16S0-90BUN	BB16TU-120UUN	*
3312	90-120	BB16S0-90BUN	BB16TU-120UUN	*
3350	90-120	BB16S0-90BUN	BB16TU-120UUN	*
3351	90-120	BB16S0-90BUN	BB16TU-120UUN	*
3355	90	BB16S0-90BUN	BB16SU-90UUN	*
3356	90	BB16S0-90BUN	BB16SU-90UUN	*
3357	90	BB16S0-90BUN	BB16SU-90UUN	*
3500	90-120	BB16S0-90BUN	BB16TU-120UUN	*
3501	90-120	BB16S0-90BUN	BB16TU-120UUN	*
3530	90-120	BB16S0-90BUN	BB16TU-120UUN	*
3531	90-120	BB16S0-90BUN	BB16TU-120UUN	*
3600	90-120	BB16S0-90BUN	BB16TU-120UUN	*
3601	90-120	BB16S0-90BUN	BB16TU-120UUN	*
3602	90-120	BB16S0-90BUN	BB16TU-120UUN	*
4351	20	BB16G0-20BUN	BB16HU-20UUN	*
4352	20	BB16G0-20BUN	BB16HU-20UUN	*
4400	20	BB16G0-20BUN	BB16HU-20UUN	*
4410	60	existiert nicht	BB16QU-60UUN	***
4430	60	existiert nicht	BB16QU-60UUN	***
4440	35	BB16M0-35BUN	BB16MU-35UUN	*
4650	45	BB16Q0-45BUN	BB16QU-45UUN	*
4660	45	BB16Q0-45BUN	BB16QU-45UUN	*
4670	60	BB16Q0-60BUN	BB16QU-60UUN	*
4680	60	BB16Q0-60BUN	BB16QU-60UUN	*
5530	35	BB16M0-35BUN	BB16MU-35UUN	*
7045	60	BB16Q0-60BUN	BB16QU-60UUN	*
7050	90	BB16S0-90BUN	BB16SU-90UUN	*
7051	90	BB16S0-90BUN	BB16SU-90UUN	*
7055	90	BB16S0-90BUN	BB16SU-90UUN	*
7060	90	BB16S0-90BUN	BB16SU-90UUN	*
7061	90	BB16S0-90BUN	BB16SU-90UUN	*
7076	90	BB16S0-90BUN	BB16SU-90UUN	*
7080	90-80	BB16S0-90BUN	BB16SU-80UUN	*
7080	90-120	BB16S0-90BUN	BB16TU-120UUN	*
7115	90-80	BB16S0-90BUN	BB16SU-80UUN	*
7115	90-120	BB16S0-90BUN	BB16TU-120UUN	*
7556	90	BB16S0-90BUN	BB16SU-90UUN	*
7570	90-120	BB16S0-90BUN	BB16TU-120UUN	*
7585	90-120	BB16S0-90BUN	BB16TU-120UUN	*
2102-40	22	BB16E0-22BUN	BB16EU-22UUN	*

Flygt® Pumpe	Welle mm	billi obere Dichtung	billi untere Dichtung	Typ
Flygt® Pump	Shaft mm	billi upper seal	billi lower seal	Type
2151-10	35	BB16KO-35BUN	BB16KU-35UUN	*
2151-11	35	BB16KO-35BUN	BB16LU-35UUN	*
2151-50	35	BB16KO-35BUN	BB16LU-35UUN	*
2201-10	45-35	BB1600-45BUN	BB16KU-35UUN	*
2201-11HT oder MT	45	BB1600-45BUN	BB16NU-45UUN	*
2201-11LT	45	BB1600-45BUN	BB16OU-45UUN	*
2201-320	45	BB16NO-45BUN	BB16NU-45UUN	*
2201-430	45	BB16NO-45BUN	BB16NU-45UUN	*
2201-480	45	BB16NO-45BUN	BB16NU-45UUN	*
2201-590	45	BB16NO-45BUN	BB16NU-45UUN	*
2201-690	45	BB16NO-45BUN	BB16NU-45UUN	*
3041-281	20	BB16GO-20BUN	BB16GU-20UUN	*
3057-180	20	BB16GO-20BUN	BB16GU-20UUN	*
3067-170	20	BB16GO-20BUN	BB16GU-20UUN	*
3067-250	20	BB16GO-20BUN	BB16GU-20UUN	*
3082-290	20	BB16GO-20BUN	BB16GU-20UUN	*
3085-120	20	BB16GO-20BUN	BB16GU-20UUN	*
3085-170	20	BB16GO-20BUN	BB16GU-20UUN	*
3085-171	20	BB16GO-20BUN	BB16GU-20UUN	*
3085-181	20	BB16GO-20BUN	BB16GU-20UUN	*
3085-280	20	BB16GO-20BUN	BB16GU-20UUN	*
3085-890	20	BB16GO-20BUN	BB16GU-20UUN	*
3085-91	20	BB16GO-20BUN	BB16GU-20UUN	*
3126-180	35	BB16KO-35BUN	BB16KU-35UUN	*
3126-181	35	BB16MO-35BUN	BB16MU-35UUN	*
3126-280	35	BB16KO-35BUN	BB16MU-35UUN	*
3126-290	35	BB16KO-35BUN	BB16MU-35UUN	*
3126-90	35	BB16KO-35BUN	BB16KU-35UUN	*
3126-91	35	BB16KO-35BUN	BB16MU-35UUN	*
3300-181	90	BB16SO-90UUN	BB16SU-90UUN	*
3300-280	90	BB16SO-90UUN	BB16SU-90UUN	*
3300-91	90	BB16SO-90UUN	BB16SU-90UUN	*
3300-980	90	BB16SO-90UUN	BB16SU-90UUN	*
Grindex® Major	25-24	BB16ZO-25BUN	BB16ZU-24UUN	*
Grindex® Master	25-24	BB16ZO-25BUN	BB16ZU-24UUN	*
Grindex® Matador	25-24	BB16ZO-25BUN	BB16ZU-24UUN	*
Grindex® Maxi	45	BB1600-45BUN	BB16NU-45UUN	*
Grindex® Midi	25-24	BB16ZO-25BUN	BB16ZU-24UUN	*
Grindex® Minette	25-24	BB16ZO-25BUN	BB16ZU-24UUN	*
Grindex® Salvador	25-24	BB16ZO-25BUN	BB16ZU-24UUN	*
Ready® Model 12	15	BB16D-15QQ/QBN	existiert nicht	**
Ready® Model 16	15	BB16D-15QQ/QBN	existiert nicht	**
Ready® Model 24	20	BB16AO-20BUN	BB16AU-20UUN	*
Ready® Model 4	15	BB16D-15QQ/QBN	existiert nicht	**
Steady® Model 7	20	BB16GO-20BUN	BB16GU-20UUN	*
Ready® Model 8	15	BB16D-15QQ/QBN	existiert nicht	**
Ready® Model 90	28	BB16IO-28BUN	BB16IU-28UUN	*

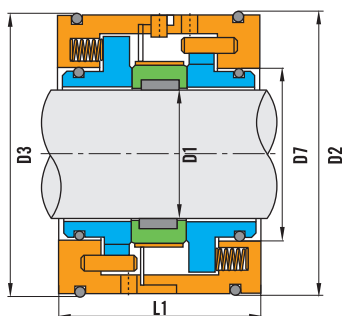
Flygt®, Grindex® und Ready® sind registrierten Trade Marks Flygt®, Grindex® and Ready® are registered Trade Marks

\* einzeln GLRD Kohle/TC/NBR + TC/TC/NBR  
\* single seal Carbon/TC/NBR+TC/TC/NBR

\*\* doppelte GLRD SiC/SiC/NBR-SiC/Kohle/NBR  
\*\* double seal SiC/SiC/NBR-SiC/Carbon/NBR

\*\*\* einzeln GLRD TC/TC/NBR  
\*\*\* single seal TC/TC/NBR

EMU® Pumpe	Welle mm	Billi GLRD	Billi Teil Nr.
EMU® Pumps	Shaft mm	Billi seal No.	Billi item No.
Komplette GLRD mit SiC Fläche Complete seal with SiC Faces	35	BB17	BB17-35QQV
Komplette GLRD mit SiC Fläche Complete seal with SiC Faces	50	BB17	BB17-50QQV
Komplette GLRD mit SiC Fläche Complete seal with SiC Faces	75	BB17	BB17-75QQV
Komplette GLRD mit TC Fläche Complete seal with TC Faces	35	BB17	BB17-35UUV
Komplette GLRD mit TC Fläche Complete seal with TC Faces	50	BB17	BB17-50UUV
Komplette GLRD mit TC Fläche Complete seal with TC Faces	75	BB17	BB17-75UUV
Reparaturkit mit SiC Fläche Repair Kit with SiC Faces	35	BB17-KIT	BB17-KIT-35QQV
Reparaturkit mit SiC Fläche Repair Kit with SiC Faces	50	BB17-KIT	BB17-KIT-50QQV
Reparaturkit mit SiC Fläche Repair Kit with SiC Faces	75	BB17-KIT	BB17-KIT-75QQV
Reparaturkit mit TC Fläche Repair Kit with TC Faces	35	BB17-KIT	BB17-KIT-35UUV
Reparaturkit mit TC Fläche Repair Kit with TC Faces	50	BB17-KIT	BB17-KIT-50UUV
Reparaturkit mit TC Fläche Repair Kit with TC Faces	75	BB17-KIT	BB17-KIT-75UUV

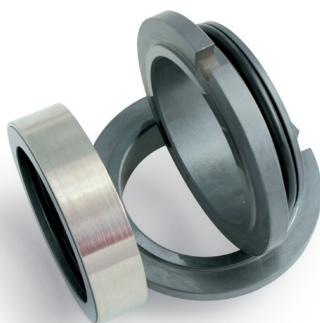


Erhältlich als Reparatursatz oder als eine komplette Gleitringdichtung ausgestattet mit einer Edelstahl Buchse. Der Typ **BB17** ist ein Ersatz für die Dichtung in den meisten EMU® Pumpen. Der Reparatursatz enthält alle Verschleißteile wie zwei Stationärteile mit O-Ringen, zentrales rotierendes Teil mit Elastomerdiaphragma, Antirotationsstifte und Federn für die Stationärteile und Haltestifte für die Buchse.

Available in either repair kit form, or as a complete mechanical seal assembly, fitted within the stainless steel outer collet. The Style

#### Billi standard

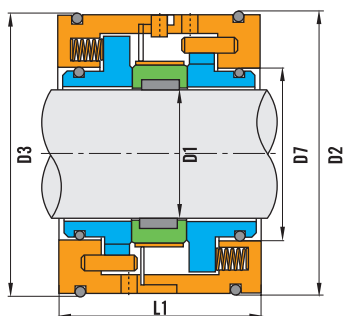
D1	D7	D2	D3	L1
35	47,00	72,00	72,00	47,00
50	63,00	90,00	92,00	52,00
75	95,00	128,00	130,00	75,00



**BB17** is a direct replacement for the Seal fitted to the most common EMU® Pumps. Repair kit comprise of all wear parts being; two stationaries with O-Rings, central rotatory with elastomer diaphragm, antirotation pins and springs for stationaries and retaining pins for the collets.



EMU® Pumpe	Welle mm	Billi GLRD	Billi Teil Nr.
EMU® Pumpe Shaft	Shaft mm	Billi seal No.	Billi item No.
Komplette GLRD mit SiC Fläche Complete seal with SiC Faces	35	BB17	BB17-35QQV
Komplette GLRD mit SiC Fläche Complete seal with SiC Faces	50	BB17	BB17-50QQV
Komplette GLRD mit SiC Fläche Complete seal with SiC Faces	75	BB17	BB17-75QQV
Komplette GLRD mit TC Fläche Complete seal with TC Faces	35	BB17	BB17-35UUV
Komplette GLRD mit TC Fläche Complete seal with TC Faces	50	BB17	BB17-50UUV
Komplette GLRD mit TC Fläche Complete seal with TC Faces	75	BB17	BB17-75UUV
Reparaturkit mit SiC Fläche Repair Kit with SiC Faces	35	BB17-KIT	BB17-KIT-35QQV
Reparaturkit mit SiC Fläche Repair Kit with SiC Faces	50	BB17-KIT	BB17-KIT-50QQV
Reparaturkit mit SiC Fläche Repair Kit with SiC Faces	75	BB17-KIT	BB17-KIT-75QQV
Reparaturkit mit TC Fläche Repair Kit with TC Faces	35	BB17-KIT	BB17-KIT-35UUV
Reparaturkit mit TC Fläche Repair Kit with TC Faces	50	BB17-KIT	BB17-KIT-50UUV
Reparaturkit mit TC Fläche Repair Kit with TC Faces	75	BB17-KIT	BB17-KIT-75UUV



Erhältlich als Reparatursatz oder als eine komplette Gleitringdichtung ausgestattet mit einer Edelstahl Buchse. Der Typ **BB17** ist ein Ersatz für die Dichtung in den meisten EMU® Pumpen. Der Reparatursatz enthält alle Verschleißteile wie zwei Stationärteile mit O-Ringen, zentrales rotierendes Teil mit Elastomerdiaphragma, Antirotationsstifte und Federn für die Stationärteile und Haltestifte für die Buchse.

Available in either repair kit form, or as a complete mechanical seal assembly, fitted within the stainless steel outer collet. The Style

#### Billi standard

D1	D7	D2	D3	L1
35	47,00	72,00	72,00	47,00
50	63,00	90,00	92,00	52,00
75	95,00	128,00	130,00	75,00



**BB17** is a direct replacement for the Seal fitted to the most common EMU® Pumps. Repair kit comprise of all wear parts being; two stationaries with O-Rings, central rotary with elastomer diaphragm, antirotation pins and springs for stationaries and retaining pins for the collets.

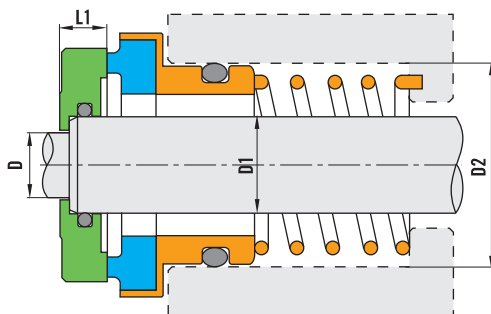
Tuchenhagen® Pumpe	Welle mm	Billi GLRD	Billi Teil Nr.	Typ
Tuchenhagen® Pumps	Shaft mm	Billi seal No.	Billi item No.	Type
AR, AG, ZR, ZG	12	BB20	BB20-12BQE	*
Dichtungstyp F1 bis F5	12	BB20	BB20-12BXE	**
Seals style F1 to F5	18	BB20	BB20-18BQE	*
	18	BB20	BB20-18BXE	**
	21	BB20	BB20-21BQE	*
	21	BB20	BB20-21BXE	**
	28	BB20	BB20-28BQE	*
	28	BB20	BB20-28BXE	**
	40	BB20	BB20-40BQE	*
	40	BB20	BB20-40BXE	**

\* Einzel GLRD Kohle/SiC/EPDM

\* Single seal Carbon/SiC/EPDM

\*\* Einzel GLRD Kohle/Chromoxyde/EPDM

\*\* Single seal Carbon/Chrome oxyde/EPDM



Erhältlich ist eine ganze Reihe an entlasteten Dichtungen für die Tuchenhagen® AR, AG, ZR, ZG, Pumpen, Dichtungstypen F1 bis F5. Ausführung mit eingeschrumpften Flächen und Gleitköpfen aus Kohle und eingeschrumpften SiC oder Chromoxyde beschichteten Edelstahl Gegenringen. Als Standard ist diese Dichtung mit EPDM O-Ringen ausgerüstet. Sollten Sie NBR oder VITON® O-Ringe benötigen bitten wir Sie entsprechend zu bestellen.

We have a complete range of balanced seals to suit the Tuchenhagen® AR, AG,ZR,ZG, series pumps, seal styles F1 to F5. Available with inserted carbon face seal heads, and inserted silicon carbide or chrome oxide coated stainless steel rotary counterfaces. EPDM O-Rings are fitted as standard. If NBR or VITON® is required, please specify this at time of order.

#### Billi standard

D	D1	D2	L1
12	16,00	30,00	7,00
18	24,00	50,00	11,00
21	25,00	50,00	11,00
28	35,00	50,00	11,00
40	50,00	64,00	14,00



APV® Pumpe	Welle mm	Billi GLRD	Billi Teil Nr.	Typ
APV® Pumps	Shaft mm	Billi seal No.	Billi item No.	Type
ZMA, ZMB, ZMD, ZMH-1, ZMH-2, ZMH-4, ZMK-1, ZMK-2, ZMK-3, ZMS-3, ZMS-4, Rosista®, Pasilac®	20	BB19C	BB19C-20BSE	*
	20	BB19C	BB19C-20QQE	**
	25	BB19C	BB19C-25BSE	*
	25	BB19C	BB19C-25QQE	**
	30	BB19C	BB19C-30BSE	*
	30	BB19C	BB19C-30QQE	**
ZMS-5	48	BB19D	BB19D-48BSE	***
Osborne Craig® Kohle+Keramik Buchsen Carbon+Ceramic bearing	1 1/8"	BB19E	BB19E-28,6BV	****

\* Einzel GLRD Kohle/Stahl/EPDM

\* Single seal Carbon/SS/EPDM

\*\* Einzel GLRD SiC/SiC/EPDM

\*\* Single seal SiC/SiC/EPDM

\*\*\* Wellenfeder GLRD Kohle/Stahl/EPDM

\*\*\* Wave Spring Carbon/SS/EPDM

\*\*\*\* Flächen Lager Kohle/Keramik

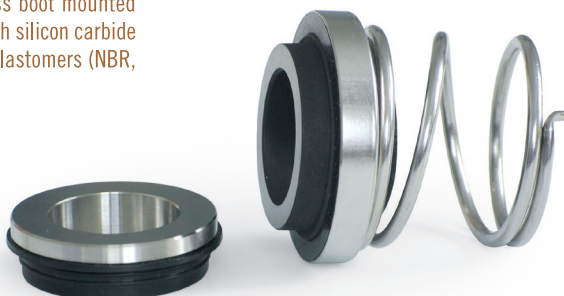
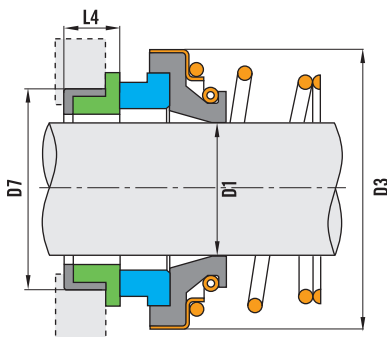
\*\*\*\* Bearing Faces Carbon/Ceramic

### Billi standard

D1	D7	D2	L4	Type
20	30,00	40,60	9,80	ZMA, ZMB, ZMH-1, ZMH-2, ZMK-1 & ZMK-2
25	35,00	45,40	9,80	ZMS-3 & ZMS-4
30	42,00	57,00	13,00	ZMH-4, ZMK-3 & ZMD

Typ **BB19C** für APV® ZMA, ZMB, ZMD, ZMS, ZMH und ZMK "Rosista®" und "Pasilac®" Pumpen. Erhältlich mit Kohle Gleitfläche und Edelstahl Gegenring als Standard, oder mit SiC Gleitflächen, mit allen Standardelastomeren (NBR, EPDM, VITON®).

Style **BB19C** for APV® ZMA, ZMB, ZMD, ZMS, ZMH und ZMK "Rosista®" and "Pasilac®" pumps. Available with carbon rotary face vs. stainless boot mounted seat as standard, or with silicon carbide faces, in all standard elastomers (NBR, EPDM, VITON®).



**Mechanical Seals for APV® Pumps****BB19D**

Wellenfeder Gleitringdichtung für 48 mm Welle, für APV® ZMS-5 Pumpe.

Das rotierende Teil hat eine eingeschrumpfte Kohle Gleitfläche mit einem gestifteten Edelstahl Gegenring. Bei Bestellung bitte das gewünschte Elastomer angeben, EPDM oder VITON®.

**BB19D**

Wave-spring seal for 48 mm shaft size, suitable for APV® ZMS-5 pump.

Rotary unit has inserted carbon rotary face, with a stainless steel pinned-seat.

Please specify VITON® or EPDM O-Rings at time of order.

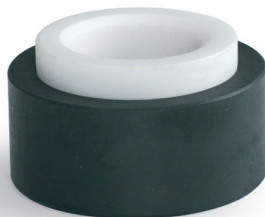
**BB19E**

Gleitflächensatz für 1.1/8" Welle, für APV®, Osborne Craig® Mixer. Die Lagerflächen sind aus Kohle und Keramik.

**BB19E**

Bearing face kits, for 1.1/8" shaft size, suitable for APV®, Osborne Craig® mixers.

The bearing seat is monolithic carbon, with the bearing being monolithic ceramic.



APV Puma® Pumpe	Welle mm	Billi GLRD	Billi Teil Nr.	Typ
APV Puma® Pumps	Shaft mm	Billi seal No.	Billi item No.	Type
Rotierendes Teil A Rotary Part A	1"	BB19	BB19-25,4BE	*
	1"	BB19	BB19-25,4QE	**
	1"	BB19	BB19-25,4UE	***
	1 1/2"	BB19	BB19-38,1BE	*
	1 1/2"	BB19	BB19-38,1QE	**
	1 1/2"	BB19	BB19-38,1UE	***

\* Einzel GLRD Kohle/EPDM  
\* Single seal Carbon/EPDM

\*\* Einzel GLRD SiC/EPDM  
\*\* Single seal SiC/EPDM

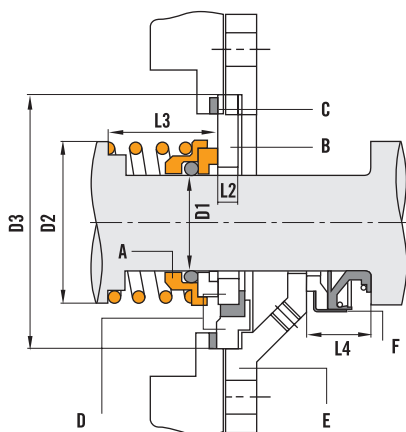
\*\*\* Einzel GLRD TC/EPDM  
\*\*\* Single seal TC/EPDM

### Billi standard

D1	mm	D2	D3	L3	L2	L4
1,000"	25,40	41,20	68,20	25,40	7,80	14,00
1,500"	38,10	55,70	80,10	33,30	9,00	17,00

Wir liefern alle Dichtungen und dazugehörigen Komponenten für die 1" und 1.1/2" Puma® Wellenpumpen. Jede Dichtung und jede Komponente für diese Pumpen sind ab Lager erhältlich in allen gängigen Werkstoffen und Elastomeren.

The seals and associated components commonly used on the 1" and 1.1/2" shaft Puma® pumps are available. Every seal, seat and gasket component, used on the range of these pumps, is available ex-stock, in all common face and elastomer materials.



APV Puma® Pumpe	Welle mm	Billi GLRD	Billi Teil Nr.	Typ
APV Puma® Pumps	Shaft mm	Billi seal No.	Billi item No.	Type
Stationäres Teil B und Gaskets C Stationary Seat B and Gaskets C	1"	BB19	BB19-STB-25,4SE	*
	1"	BB19	BB19-STBDL-25,4SE	**
	1"	BB19	BB19-STBDL-25,4VE	***
	1"	BB19	BB19-GASKETS-25,4	****
	1 1/2"	BB19	BB19-STB-38,1SE	*
	1 1/2"	BB19	BB19-STBDL-38,1SE	**
	1 1/2"	BB19	BB19-STBDL-38,1VE	***
	1 1/2"	BB19	BB19-GASKETS-38,1	****

\* Stationär aus Stahl/EPDM

\* Stationary from SS/EPDM

\*\* Stationär aus Stahl/EPDM doppelt geläppt

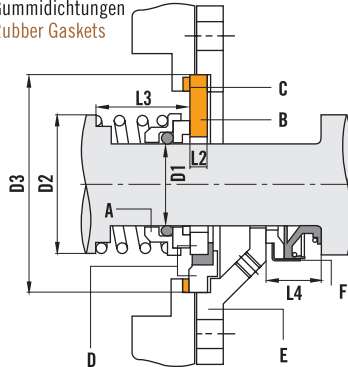
\*\* Stationary from SS/EPDM double lapped

\*\*\* Stationär aus Keramik/EPDM doppelt geläppt

\*\*\* Stationary from Ceramic/EPDM double lapped

\*\*\*\* Gummidichtungen

\*\*\*\* Rubber Gaskets



APV Puma® Pumpe	Welle mm	Billi GLRD	Billi Teil Nr.	Typ
APV Puma® Pumps	Shaft mm	Billi seal No.	Billi item No.	Type
Stationäres Teil D und Gaskets C Stationary Part D and Gaskets C	1"	BB19	BB19-STD-25,4VE	*
	1"	BB19	BB19-STD-25,4QE	**
	1"	BB19	BB19-GASKETS-25,4	***
	1 1/2"	BB19	BB19-STD-38,1VE	*
	1 1/2"	BB19	BB19-STD-38,1QE	**
	1 1/2"	BB19	BB19-GASKETS-38,1	***

\* Stationär aus Keramik/EPDM

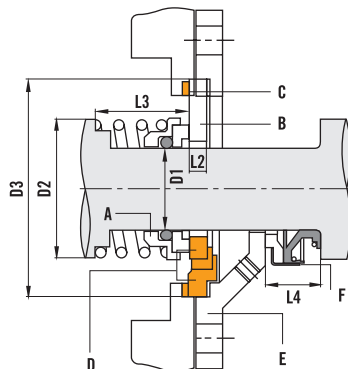
\* Stationary from Ceramic/EPDM

\*\* Stationär aus SiC/EPDM

\*\* Stationary from SiC/EPDM

\*\*\* Gummidichtungen

\*\*\* Rubber Gaskets



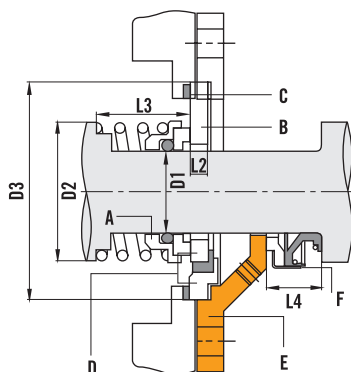
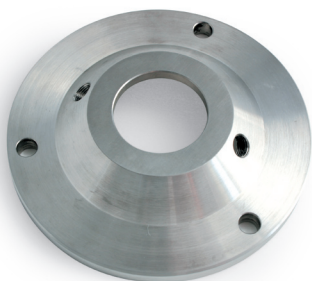
APV Puma® Pumpe	Welle mm	Billi GLRD	Billi Teil Nr.	Typ
APV Puma® Pumps	Shaft mm	Billi seal No.	Billi item No.	Type
Stationäre Platte E	1"	BB19	BB19-PLATTE-25,4	*
Stationary Plate E	1 1/2"	BB19	BB19-PLATTE-38,1	*

\* Flange aus Stahl für die Dichtung mit Bohrungen

\* SS backing plate with flush connection holes

### Billi standard

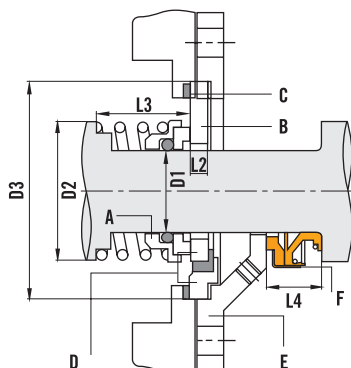
D1	mm	D2	D3	L3	L2	L4
1,000"	25,40	41,20	68,20	25,40	7,80	14,00
1,500"	38,10	55,70	80,10	33,30	9,00	17,00



APV Puma® Pumpe	Welle mm	Billi GLRD	Billi Teil Nr.	Typ
APV Puma® Pumps	Shaft mm	Billi seal No.	Billi item No.	Type
Rotierendes Teil Aussen F	1"	BB2	T21N25,4	*
External rotary seal F	1 1/2"	BB2	T21N38,1	*

\* Einzel GLRD Kohle/NBR

\* Single seal Carbon/NBR

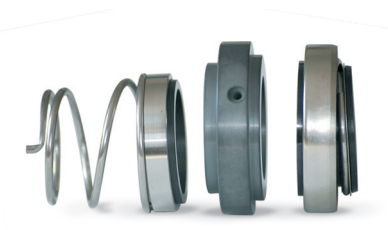
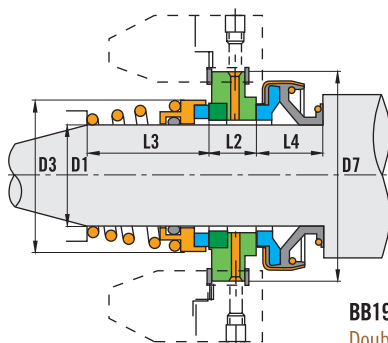


Die APV W® und APV W+® Pumpen wurden eingeführt um die APV Puma® Pumpen zu ersetzen. Wir liefern eine Reihe Dichtungen für den Einbau in APV W® und APV W+® Pumpen, in einfacher und doppelter Ausführung.

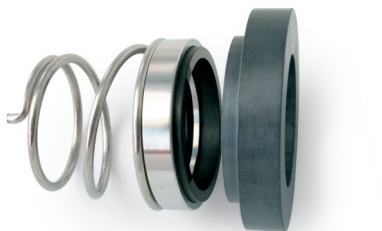
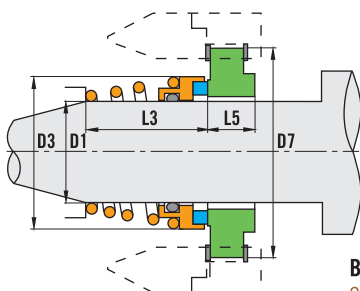
The APV W® and APV W+® pumps have been introduced to replace the APV Puma® pumps. We have on stock a complete range of mechanical seals designed to suit APV W® and APV W+® pumps in single and double configuration.

**Billi standard**

D1	D7	D3	L3	L2	L4	L5
25	52,00	38,20	25,40	17,00	14,00	16,00
35	62,50	49,50	33,30	20,00	16,00	16,00



**BB19BD.** Doppeldichtung mit Standardabmessungen  
Double seal arrangement and standard dimensions.



**BB19B.** Einzeldichtung mit Standardabmessungen  
Single seal arrangement and standard dimensions.



**Zusatzinformation**

Wir liefern auch einen Austauschatz für Gleitflächen der APV W+® pumpen, erhältlich in Kohle/SiC oder SiC/SiC mit O-Ringen aus EPDM, NBR oder VITON®. Der Satz beinhaltet die Gleitflächen der rotierenden und der stationären Einheit mit zwei O-Ringen und Ersatzstiften

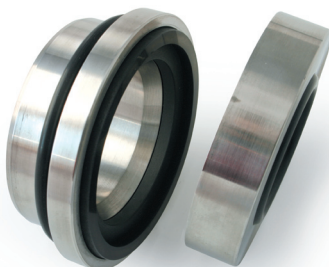
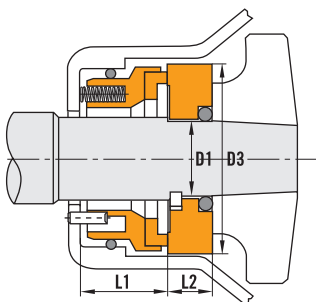
**Further information**

We have on stock replacement face kits for APV W+® pumps available in carbon vs silicon carbide, or silicon carbide vs. silicon carbide, with EPDM, NBR or VITON® O-Rings. The kits include rotary and stationary faces, with two O-Rings to suit, and replacement face pin.

**BB19 KIT****BB19 ST**

INOXPA PROLAC® Pumpe	Welle mm	Billi GLRD	Billi Teil Nr.	Typ
INOXPA PROLAC® Pumps	Shaft mm	Billi seal No.	Billi item No.	Type
S-15, S-20, S-26, S-28, S-35	15,8	BB21	BB21-15,8BSE	*
S-15, S-20, S-26, S-28, S-35	28,0	BB7ECO	BB7ECO-28SBE	**
S-38, S-70, S-80 160kW Motor	25,4	BB21	BB21-25,4BSE	***
S-38, S-70, S-80 160kW Motor	35,0	BB7ECO	BB7ECO-35SBE	****
S-38, S-70, S-80 180-200kW Motor	38,1	BB21	BB21-38,1BSE	*****
S-38, S-70, S-80 180-200kW Motor	50,0	BB7ECO	BB7ECO-50SBE	*****
S-38, S-70, S-80 MR200-250 Motor	38,1	BB21	BB21-38,1BSE	*****
S-38, S-70, S-80 MR200-250 Motor	65,0	BB7ECO	BB7ECO-65SBE	*****

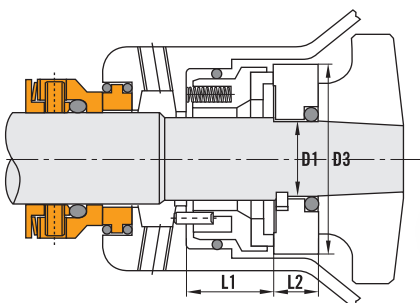
- \* 5/8" einzel innen GLRD      \*\*\*\*\* 1 1/2" einzel innen GLRD
- \* 5/8" Single Internal seal      \*\*\*\*\* 1 1/2" single internal seal
- \*\* 28mm doppelt außen GLRD      \*\*\*\*\* 50 mm doppelt außen GLRD
- \*\* 28mm double external seal      \*\*\*\*\* 50mm double external seal
- \*\*\* 1" einzel innen GLRD      \*\*\*\*\* 1 1/2" einzel innen GLRD
- \*\*\* 1" single internal seal      \*\*\*\*\* 1 1/2 single internal seal
- \*\*\*\* 35 mm doppelt außen GLRD      \*\*\*\*\* 65 mm doppelt außen GLRD
- \*\*\*\* 35mm double external seal      \*\*\*\*\* 65 double external seal



**Billi standard**

D1	mm	L1	L2	L3
0,625	15,8	26,00	10,50	44,50
1,000	25,4	26,00	10,00	53,50
1,500	38,1	31,00	15,50	74,00

**BB21**



**BB7ECO**

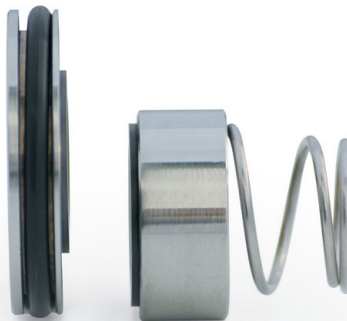
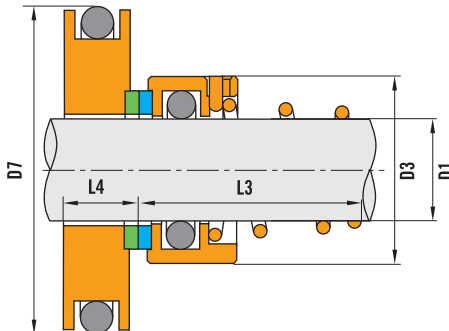
ALLWEILER® Pumpe	Welle mm	Billi GLRD	Billi Teil Nr.	Typ
ALLWEILER® Pumps	Shaft mm	Billi seal No.	Billi item No.	Type
SPF10, SPF20	15	BB23	BB23-15BQE	*
	15	BB23	BB23-15UUE	**
	20	BB23	BB23-20BQE	*
	20	BB23	BB23-23UUE	**

\* einzel GLRD Kohle/SiC/EPDM  
\* single seal Carbon/SiC/EPDM

\*\* einzel GLRD TC/TC/EPDM  
\*\* single seal TC/TC/EPDM

**Billi standard**

D1	D7	D3	L3	L4
15	38,00	24,00	15,00	8,00
20	45,00	31,00	19,50	8,50



86641 Rain am Lech - Germany  
Tel. 09090-705880 - Fax 09090-7058888  
[mail@billi-seals.de](mailto:mail@billi-seals.de) - [www.billi-seals.de](http://www.billi-seals.de)

**billi**<sup>®</sup>

dichtungstechnik gmbh